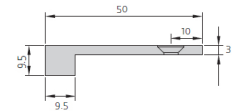
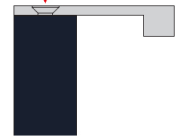


## Face Fixing Finger Edge Pull - With Cube Edge Design - Available In 4 Sizes - Satin Chrome

### Product Images



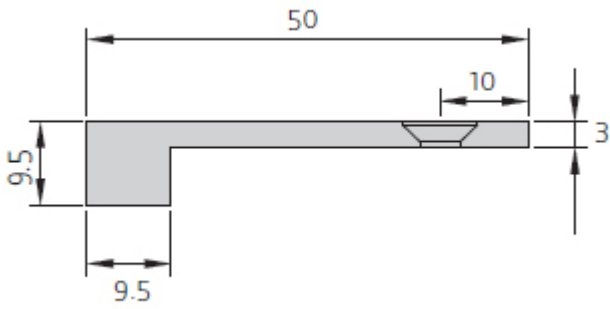
Screw Fix From The Top  
Via Wood Screws



### Description

- Face fixing edge pull handle.
- Cube edge design.
- Sleek, minimal design ideal for those looking for a small discreet handle to open a drawer or door with.
- Available in 4 sizes up to 200mm wide. **Bespoke sizes available upon request - up to 2000mm**
- Face fix design via matching wood screws.
- Suitable for use on kitchen cabinet doors, wardrobes, cupboard doors and drawers.
- **Special order, please allow 3-4 week lead time.**

## Size Details



Item Code	Overall Width	Projection	Thickness (D)
44885.1	50mm	50mm	3mm
44885.2	75mm	50mm	3mm
44885.3	100mm	50mm	3mm
44885.4	200mm	50mm	3mm

Bespoke widths available upon request - up to 2000mm

## Base Material

- Made from solid brass,

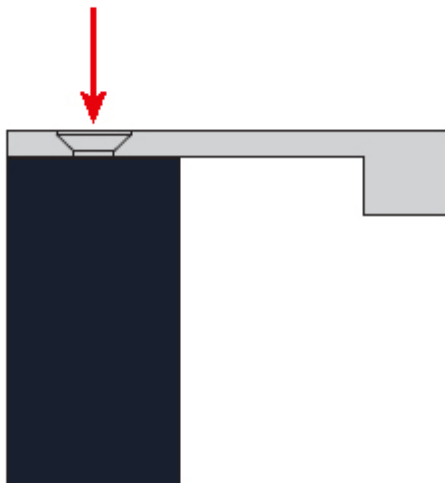
## Finish Details

- Satin chrome

## Fixings

- The edge pull is fitted via countersunk wood screws from the top face of the handle - see below diagram.

Screw Fix From The Top  
Via Wood Screws



- Supplied with matching countersunk slotted wood screws.

## Usage

- Suitable for internal or external use.

## Unit Of Sale

- Edge pull handles are sold individually - (each).

### Products in this set

---



**44885.1 - Face Fixing Finger Edge Pull - With Cube Edge - 50mm Wide x 50mm Projection - Satin Chrome - Each**



**44885.2 - Face Fixing Finger Edge Pull - With Cube Edge - 75mm Wide x 50mm Projection - Satin Chrome - Each**



**44885.3 - Face Fixing Finger Edge Pull - With Cube Edge - 100mm Wide x 50mm Projection - Satin Chrome - Each**



**44885.4 - Face Fixing Finger Edge Pull - With Cube Edge - 200mm Wide x 50mm Projection - Satin Chrome - Each**