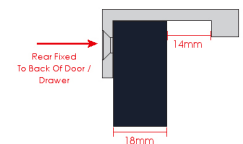
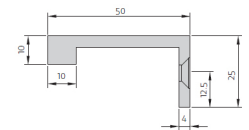


## Rear Fixing Finger Edge Pull - With Cube Edge Design - Available In 4 Sizes - Aged Brass

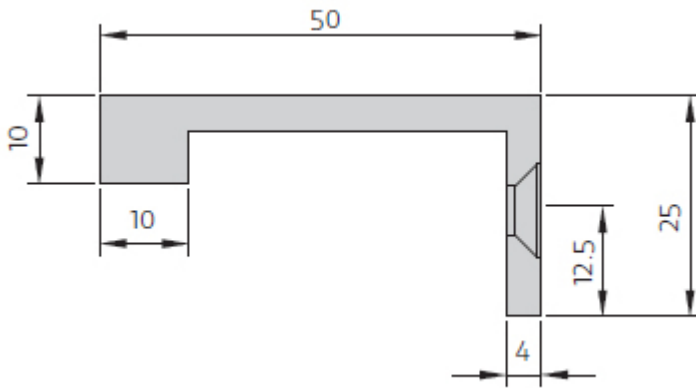
### Product Images



### Description

- Rear fixing edge pull handle.
- Cube edge design.
- Sleek, minimal design ideal for those looking for a small discreet handle to open a drawer or door with.
- Available in 4 sizes up to 200mm wide. **Bespoke sizes available upon request - up to 650mm.**
- Face fix design via matching wood screws.
- Suitable for use on kitchen cabinet doors, wardrobes, cupboard doors and drawers.
- **Special order, please allow 3-4 week lead time.**

## Size Details



Item Code	Overall Width	Projection	Thickness (D)
44889.1	50mm	50mm	4mm
44889.2	75mm	50mm	4mm
44889.3	100mm	50mm	4mm
44889.4	200mm	50mm	4mm

Bespoke widths available upon request - up to 650mm

## Base Material

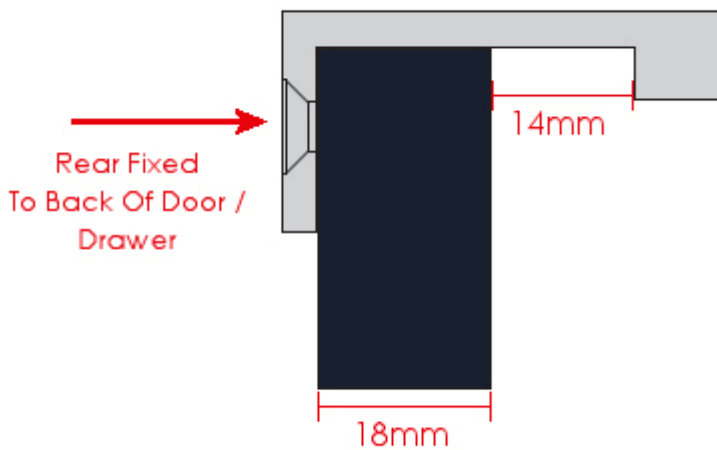
- Made from solid brass,

## Finish Details

- Aged brass

## Fixings

- The edge pull is fitted via countersunk wood screws from the top face of the handle - see below diagram.



- Supplied with matching countersunk slotted wood screws.

## Usage

- Suitable for internal or external use.

## Unit Of Sale

- Edge pull handles are sold individually - (each).

Imitation Bronze  
Metal Antique  
(IBMA)

### Products in this set

---



44889.1 - Rear Fixing Finger Edge Pull - With Cube Edge - 50mm Wide x 50mm Projection - Aged Brass - Each



44889.2 - Rear Fixing Finger Edge Pull - With Cube Edge - 75mm Wide x 50mm Projection - Aged Brass - Each



44889.4 - Rear Fixing Finger Edge Pull - With Cube Edge - 100mm Wide x 50mm Projection - Aged Brass - Each



44889.4 - Rear Fixing Finger Edge Pull - With Cube Edge - 200mm Wide x 50mm Projection - Aged Brass - Each