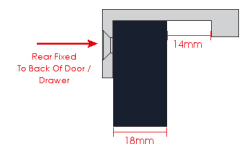
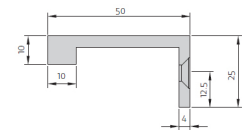


Rear Fixing Finger Edge Pull - With Cube Edge Design - Available In 4 Sizes - Satin Brass (Lacquered)

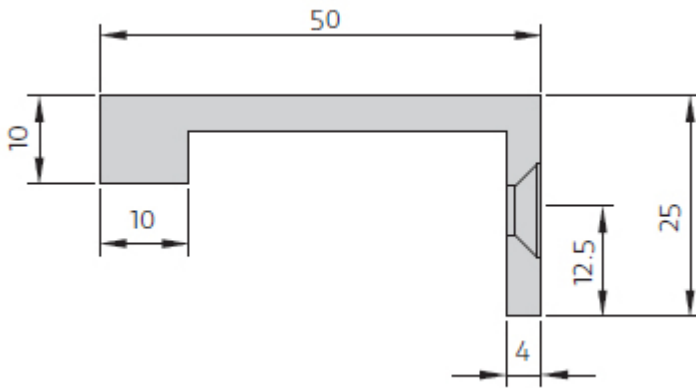
Product Images



Description

- Rear fixing edge pull handle.
- Cube edge design.
- Sleek, minimal design ideal for those looking for a small discreet handle to open a drawer or door with.
- Available in 4 sizes up to 200mm wide. **Bespoke sizes available upon request - up to 1800mm.**
- Face fix design via matching wood screws.
- Suitable for use on kitchen cabinet doors, wardrobes, cupboard doors and drawers.
- **Special order, please allow 3-4 week lead time.**

Size Details



Item Code	Overall Width	Projection	Thickness (D)
44890.1	50mm	50mm	4mm
44890.2	75mm	50mm	4mm
44890.3	100mm	50mm	4mm
44890.4	200mm	50mm	4mm

Bespoke widths available upon request - up to 1800mm

Base Material

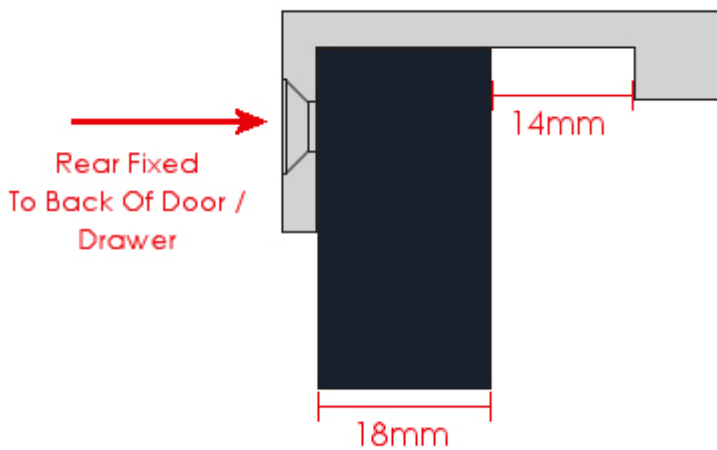
- Made from solid brass,

Finish Details

- Satin brass

Fixings

- The edge pull is fitted via countersunk wood screws from the top face of the handle - see below diagram.



- Supplied with matching countersunk slotted wood screws.

Usage

- Suitable for internal or external use.

Unit Of Sale

- Edge pull handles are sold individually - (each).

Imitation Bronze
Metal Antique
(IBMA)

Products in this set



44890.1 - Rear Fixing Finger Edge Pull - With Cube Edge - 50mm Wide x 50mm Projection - Satin Brass (Lacquered) - Each



44890.2 - Rear Fixing Finger Edge Pull - With Cube Edge - 75mm Wide x 50mm Projection - Satin Brass (Lacquered) - Each



44890.3 - Rear Fixing Finger Edge Pull - With Cube Edge - 100mm Wide x 50mm Projection - Satin Brass (Lacquered) - Each



44890.4 - Rear Fixing Finger Edge Pull - With Cube Edge - 200mm Wide x 50mm Projection - Satin Brass (Lacquered) - Each