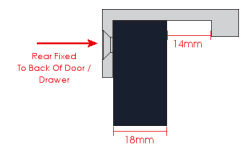
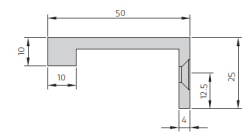


Rear Fixing Finger Edge Pull - With Cube Edge Design - Available In 4 Sizes - Polished Brass (Lacquered)

Product Images

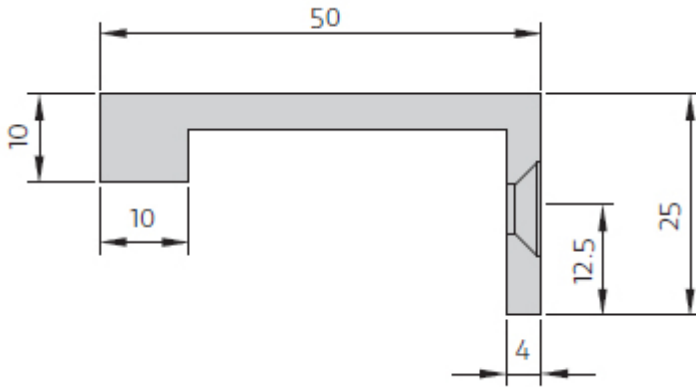


Description

- Rear fixing edge pull handle.
- Cube edge design.
- Sleek, minimal design ideal for those looking for a small discreet handle to open a drawer or door with.
- Available in 4 sizes up to 200mm wide. **Bespoke sizes available upon request - up to 1800mm.**
- Face fix design via matching wood screws.
- Suitable for use on kitchen cabinet doors, wardrobes, cupboard doors and drawers.

- Special order, please allow 3-4 week lead time.

Size Details



Item Code	Overall Width	Projection	Thickness (D)
44891.1	50mm	50mm	4mm
44891.2	75mm	50mm	4mm
44891.3	100mm	50mm	4mm
44891.4	200mm	50mm	4mm

Bespoke widths available upon request - up to 1800mm

Base Material

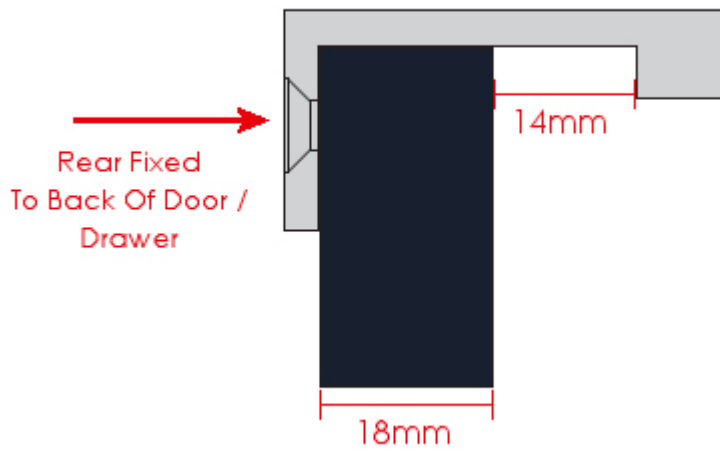
- Made from solid brass,

Finish Details

- Polished brass

Fixings

- The edge pull is fitted via countersunk wood screws from the top face of the handle - see below diagram.



- Supplied with matching countersunk slotted wood screws.

Usage

- Suitable for internal or external use.

Unit Of Sale

- Edge pull handles are sold individually - (each).

Imitation Bronze
Metal Antique
(IBMA)

Products in this set



44891.1 - Rear Fixing Finger Edge Pull - With Cube Edge - 50mm Wide x 50mm Projection - Polished Brass (Lacquered) - Each



44891.2 - Rear Fixing Finger Edge Pull - With Cube Edge - 75mm Wide x 50mm Projection - Polished Brass (Lacquered) - Each



44891.3 - Rear Fixing Finger Edge Pull - With Cube Edge - 100mm Wide x 50mm Projection - Polished Brass (Lacquered) - Each



44891.4 - Rear Fixing Finger Edge Pull - With Cube Edge - 200mm Wide x 50mm Projection - Polished Brass (Lacquered) - Each