

---

## Window Stay Locks (Pack Of Two) - Polished Brass Plated

### Product Images

---

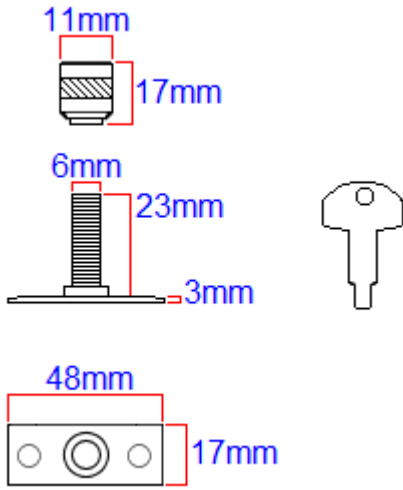


### Description

---

- Window stay locks (set of two)
- Locks the window handle (stay) in position stopping the window from being opened
- Replaces the standard pins provided with a window stay with threading pins and locking nuts
- A great child safety device for the summer months, windows can be locked in the open position - allowing air flow

### Dimensions



- Backplate size - 48mm x 17mm

#### Finish

- Electro plated brass

#### Important Info Before You Buy

- Suitable for use on most traditional window stays where the pin protrudes through the stay
- Supplied with two pins and one key
- Only one locking pin required per stay
- Locking nut has to be locked and unlocked by use of key provided

#### Products in this set

---



15455.1 - ERA - Window Stay Locks Set Of Two - Brass Plated - Pair