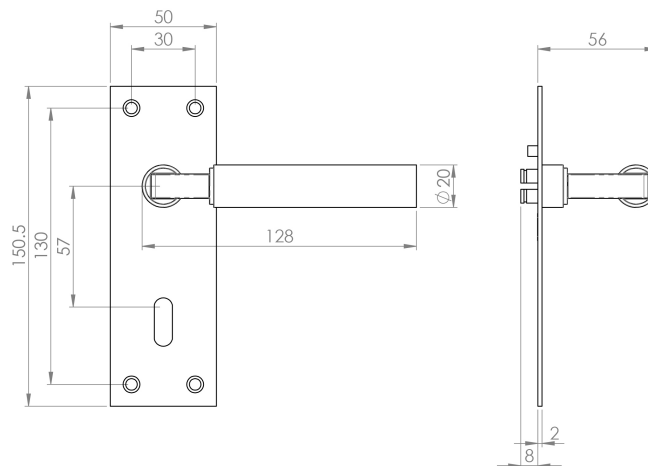
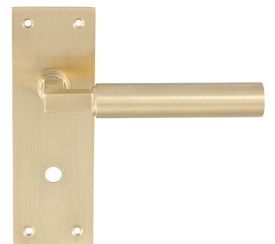
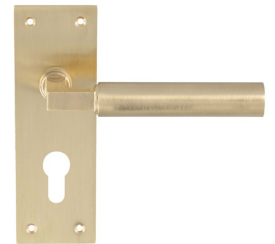
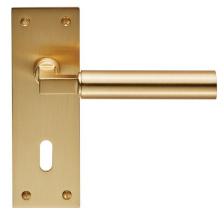
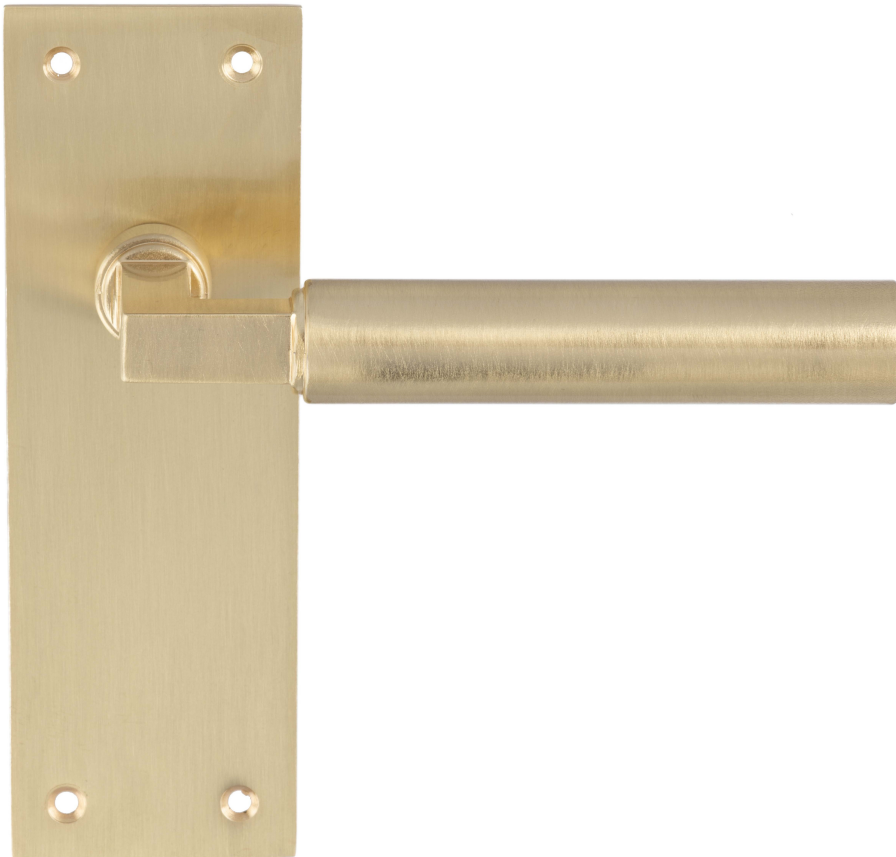


Tubular Lever Door Handles With Square Section Neck On A Minimal Rectangular Backplate - Satin Brass (Lacquered)

Product Images



PLEASE NOTE: MINIMUM DOOR THICKNESS 44mm REQUIRED

- Tubular lever door handles with square section neck on a minimal rectangular backplate
- Available with or without keyholes or with a turn and emergency release option for bathrooms and WC's

Plate Styles Available

- Lever Latch Set - (Plain Plates)



- Lever Lock Set - (Plates With Key Holes)



- Bathroom Lever Set - (With Turn & Emergency Release)



Base Material

- Made from solid brass.

Finish Details

- Satin Brass

Operation

- Both levers are sprung to ensure the lever always returns to its starting position

Back Plate Size

- 150.5mm x 50mm

Spindle Size

- 8mm x 8mm square - UK Standard.

Fixings

- Comes supplied with matching wood screws and spindle.
- Grub screw fitting to spindle for extra strength.

Usage

- Suitable for domestic or light commercial use.
- Suitable for internal or external use.

Unit Of Sale

- Sold in pairs
- (One pair consists of 1x left hand and 1x right hand)

Products in this set



45016.1 - Tubular Lever Door Handles With Square Section Neck On A Minimal Rectangular Standard Keyway Backplate - Satin Brass (Lacquered) - Pair



45016.3 - Tubular Lever Door Handles With Square Section Neck On A Minimal Rectangular Plain Latch Backplate - Satin Brass (Lacquered) - Pair



45016.4 - Tubular Lever Door Handles With Square Section Neck On A Minimal Rectangular Bathroom Lock Backplate - Satin Brass (Lacquered) - Pair