

Squared T-Bar Shape Guardsman Style Pull Handle For Doors - Bolt Through Fixing - Matt Black

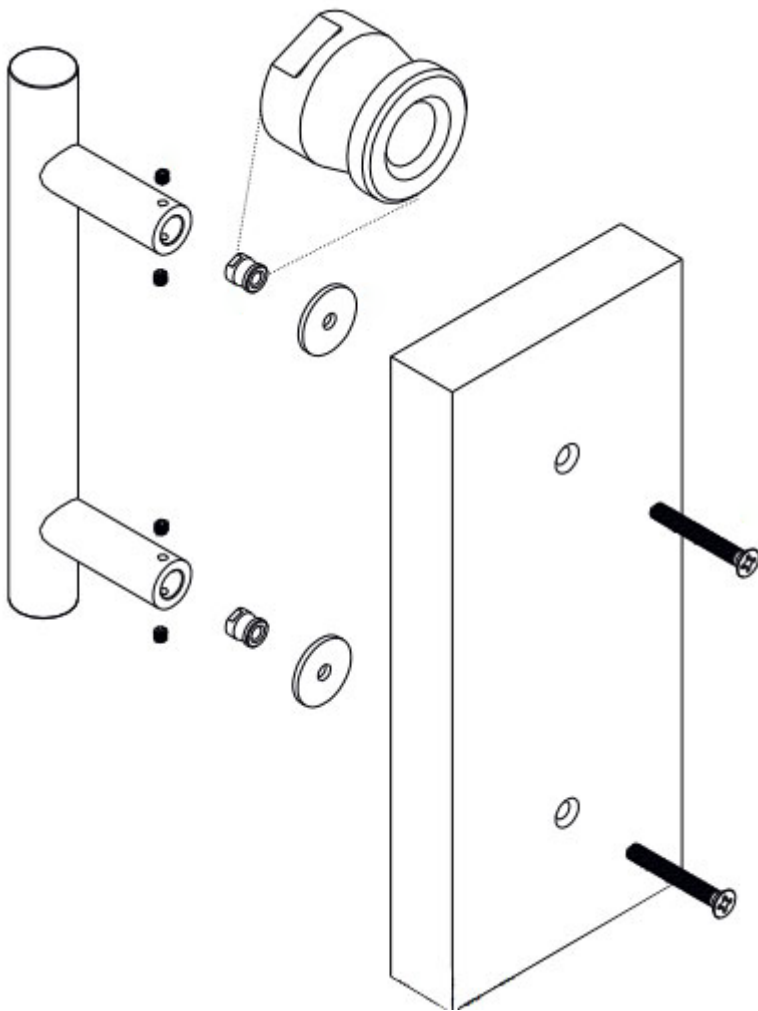
Product Images



Description

- Guardsman style squared T-Bar shape matt black pull handle
- Matt black finish ideal for internal doors and external entrance doors
- Rear fixing pull handle
- Please note fixings are not included with this produce and must be ordered separately - see information below.

Fixings Sold Separately:

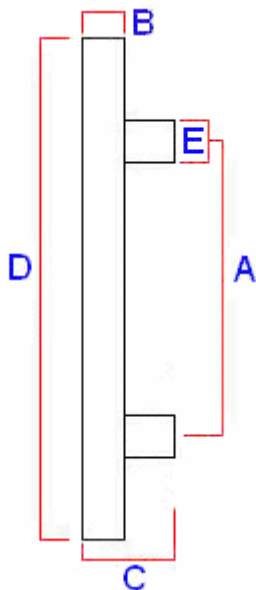


- Standard bolt through fixings (bolt heads will be seen on the reverse side of the door, normally covered with a finger plate) - **43503.1**
- Bolt through fixing with **stainless steel** cover caps (where no finger plate is wanted on the reverse side) - **43504.1**
- Back to back pair (kit for fitting pull handles to both sides of the door) - **43505.1**

Finish

- Matt black

Dimensions



Item	Bolt centers (A)	Diameter (B)	Projection (C)	Overall Length (D)	Post Diameter (E)
45052.1	300mm	40mm x 20mm	75mm	400mm	25mm x 25mm

45052.2	400mm	40mm x 20mm	75mm	600mm	25mm x 25mm
45052.3	600mm	40mm x 20mm	75mm	800mm	25mm x 25mm
45052.4	800mm	40mm x 20mm	75mm	1000mm	25mm x 25mm

Important Info Before You Buy

- Suitable for wooden doors
- Pull handles are best suited for areas of high or heavy use such as offices, schools and public buildings
- Sold Individually - (per handle).
- **Please note fixings are not included with this produce and must be ordered separately - see information above.**

Products in this set



45052.1 - Square T-Bar Shape Guardsman Style Pull Handle - Bolt Through Fixing - 400mm Length - (300mm Fixing Centres) x 40mm x 20mm - Matt Black - FIXINGS SOLD SEPARATELY



45052.2 - Square T-Bar Shape Guardsman Style Pull Handle - Bolt Through Fixing - 600mm Length - (400mm Fixing Centres) x 40mm x 20mm - Matt Black - FIXINGS SOLD SEPARATELY



45052.3 - Square T-Bar Shape Guardsman Style Pull Handle - Bolt Through Fixing - 800mm Length - (600mm Fixing Centres) x 40mm x 20mm - Matt Black - FIXINGS SOLD SEPARATELY



45052.4 - Square T-Bar Shape Guardsman Style Pull Handle - Bolt Through Fixing - 1000mm Length - (800mm Fixing Centres) x 40mm x 20mm - Matt Black - FIXINGS SOLD SEPARATELY



43503.1 - Standard Bolt Through Fixing Kit To Suit Wooden Doors Up To 45mm Thick - Zinc Plated Steel



43504.1 - Bolt Through Fixing Kit To Suit Wooden Doors Up To 45mm Thick - With Stainless Steel Cover Caps



43505.1 - Back To Back Fixing Kit To Suit Wooden Doors Up To 45mm Thick