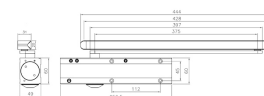

High Efficiency CAM Action Overhead Door Closer With Backcheck - EN 1154 Power Size 2-5 - CE / UKCA Marked - Pull Side Door Mounting / Push Side Transom Mounting

Product Images



Short Description

- High performance CAM action surface mounted door closers.
- **Suitable for push side door mounting or pull side transom mounting installation.**
- These door closers incorporate highly efficient cam action technology which guarantees a reliable closing force for fire door applications but also ensures ease of opening so that particularly children, the disabled and elderly will encounter only a minimum resistance when opening the door.
- Ideally suited to meet the demands and needs of the healthcare, education and commercial sectors.
- Our cam action door closers meet the requirements of BS8300/ADM and perform very efficiently to ensure the required ease of opening and reliable closing forces are achieved to fulfil these requirements..
- Designed to incorporate maximum power, durability and efficiency, combined with high quality for today's more demanding door closer

application.

- This flexible multi-power closer will satisfy the specifier who needs adjustment to suit a range of door sizes, changing ambient temperatures and frequency of use
- High efficiency, easy opening overhead door closer
- Can be adjusted to suit door widths up to 1250mm wide.
- EN power size - 2-5.
- Max Door Width / Weight - 1250mm / 100Kg.
- Adjustable closing speed.
- Adjustable latch speed.
- Power adjustable by spring.
- Adjustable backcheck.
- CE marked against EN1154
- Included in successful fire test to EN1634.
- Certifire approved.
- Declaration of performance (DoP) available.

Description

Matching Cover & Arm Finishes:

- Supplied with slimline semi-radius cover and matching slide arm.

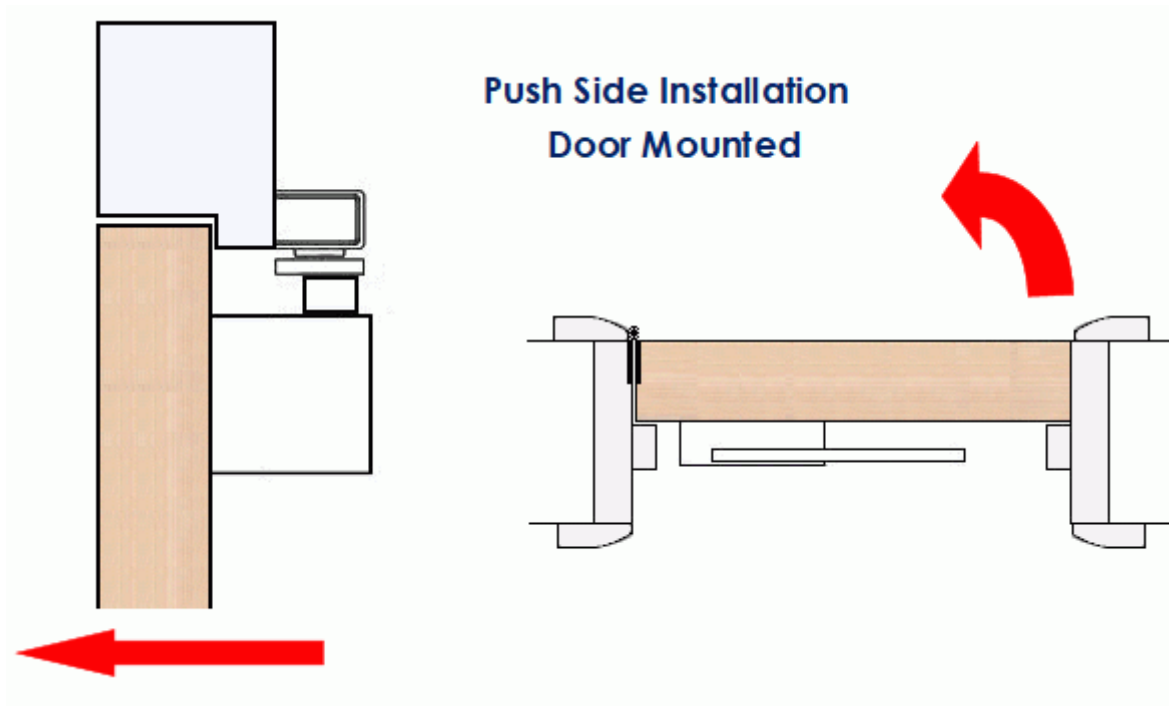
Finish Options:

- Satin nickel.
- Polished chrome.
- Silver finish.
- Electro brass plated.
- Antique brass.
- Satin brass.
- Dark bronze.
- Matt black.
- RAL colours - special order only.

Fixing Positions & Mounting Options:

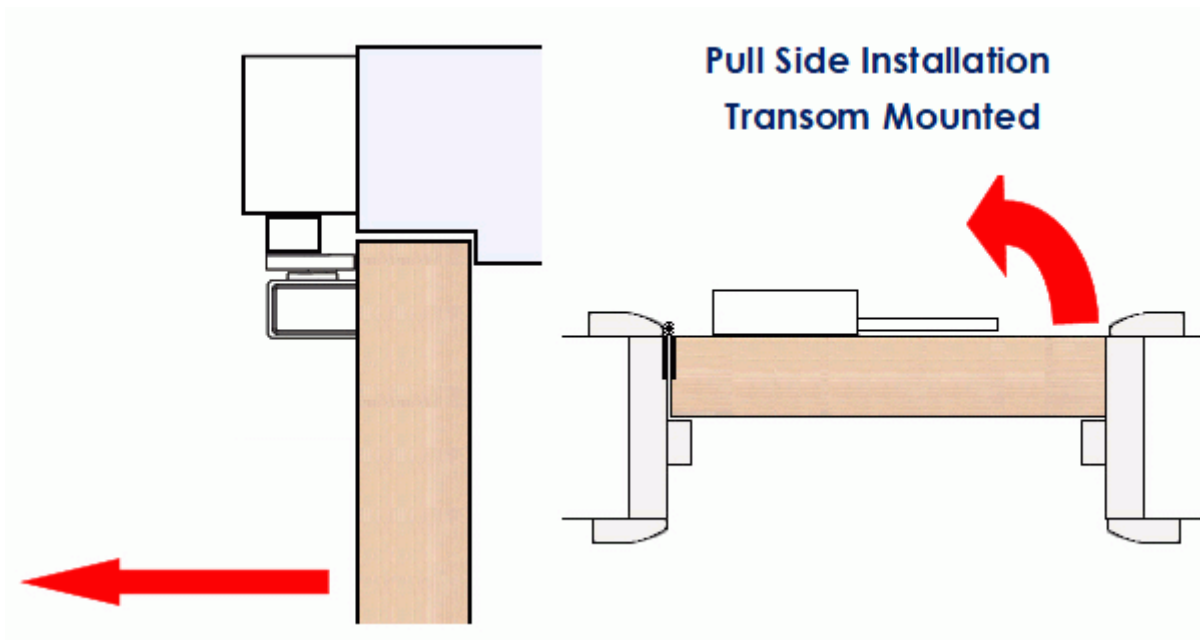
Push Side Installation Door Mounted.

- Closer body fitted to the push side of the door with slide arm fitted to the door frame.



Pull Side Installation Transom Mounted..

- Closer body fitted to the transom on the pull side, with arms fitted to the door.



Alternative Fixing Options:

- For push side installation, door mounted please see product **48107**.
- For pull side installation, transom mounted please see product **48107**.

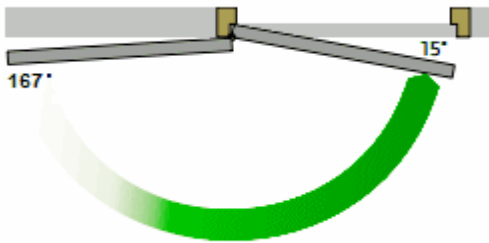
Power Adjustment Via Spring:

- Separate power adjustment, by means of screw driver adjusted valve in the closer body, this closer can be adjusted to suit door widths from 850mm to 1250mm EN power size 2-5

| EN Power Size Setting | Maximum Door Width (mm) | Maximum Door Weight (kg) |
|-----------------------|-------------------------|--------------------------|
| 2 | 850mm | 40kg |
| 3 | 950mm | 60kg |
| 4 | 1100mm | 80kg |
| 5 | 1250mm | 100kg |

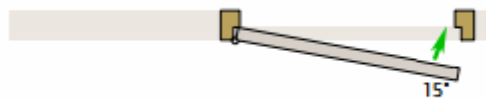
Adjustable Closing Speed:

- The closing speed can be adjusted by turning a small screw in the body of the closer.
- By turning the screw in the body the rate at which oil flows through the closer changes in turn controlling how fast the closer will shut the door.
- Speed adjustment can be controlled from approximately the first 180 degrees down to the last 15 degrees of the closing cycle.



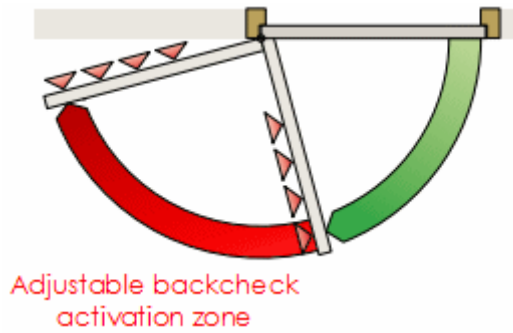
Adjustable Latch Action:

- The last 15 degrees of the closing cycle is known as the latch action (or snap action), it's designed to help give a door closer a little extra force to help it overcome any door seals, or latches that might prevent the door from closing within the frame.
- The latch action can be adjusted by turning a screw in the body of the closer.
- By turning the latch action off or very low the door closer will softly close into the frame, by turning the latch action to it's maximum setting the door closer will push into the door frame with extra force.

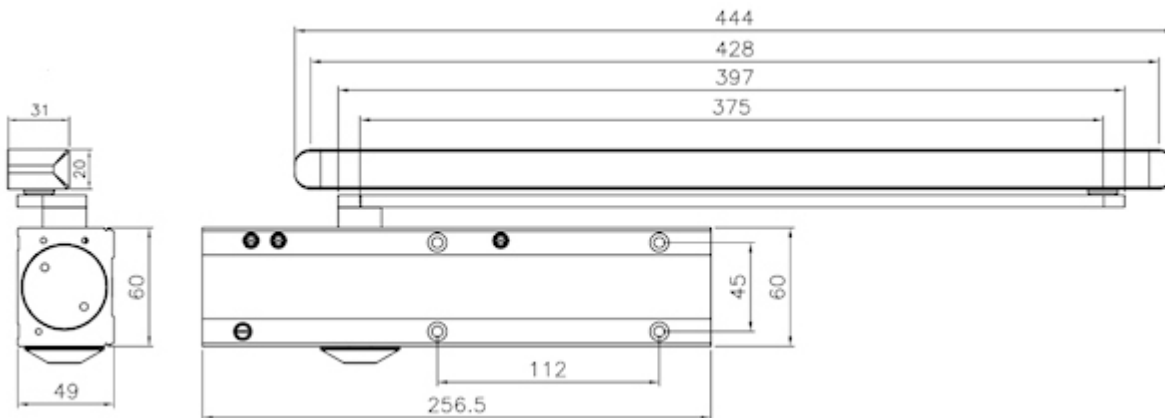


Adjustable Backcheck:

- This function slows and or stops the door during it's opening cycle, so that it cannot be flung open violently and damage any adjacent walls.
- Backcheck function can be adjusted by turning a small screw in the body of the closer.



Closer Dimensions:



- Body Length - 256.5mm
- Body Height - 60mm
- Body Depth - 49mm
- Cover Length - 260mm
- Cover Height - 79mm
- Cover Depth - 60mm

Standards This Product Conforms To

- Tested and passed to BS EN 1154. The British / European standard requirements and test methods door closers.
 - Classification number for push side installation door mounted - **385/2113**.
 - Classification number for pull side installation transom mounted - **485/2113**.
- Tested and passed to BS EN 1634 the British / European standard for determining the fire resistance of door and shutter assemblies including hardware. Assessed for use on 30 minute and 1 hour timber fire doors.
- Certifire approved.
- CE Marked / UKCA Marked.
- Declaration of performance (DoP) - ***please see the additional information tab to download the certificate.***
- Opening forces meet the requirements of BS 8300 at 0-30 degrees less than 30N and 30-60 degrees less the 22.5N.



48106.1 - High Efficiency CAM Action Overhead Door Closer With Backcheck - EN 1154 Power Size 2-5 - CE / UKCA Marked - Pull Side Door Mounting / Push Side Transom Mounting - Silver



48106.2 - High Efficiency CAM Action Overhead Door Closer With Backcheck - EN 1154 Power Size 2-5 - CE / UKCA Marked - Pull Side Door Mounting / Push Side Transom Mounting - Polished Chrome



48106.3 - High Efficiency CAM Action Overhead Door Closer With Backcheck - EN 1154 Power Size 2-5 - CE / UKCA Marked - Pull Side Door Mounting / Push Side Transom Mounting - Satin Nickel



48106.4 - High Efficiency CAM Action Overhead Door Closer With Backcheck - EN 1154 Power Size 2-5 - CE / UKCA Marked - Pull Side Door Mounting / Push Side Transom Mounting - Polished Brass Plated



48106.5 - High Efficiency CAM Action Overhead Door Closer With Backcheck - EN 1154 Power Size 2-5 - CE / UKCA Marked - Pull Side Door Mounting / Push Side Transom Mounting - Matt Black



48106.6 - High Efficiency CAM Action Overhead Door Closer With Backcheck - EN 1154 Power Size 2-5 - CE / UKCA Marked - Pull Side Door Mounting / Push Side Transom Mounting - Dark Bronze (Lacquered)

Products in this set