
Circular Flush Fitting Edge Pull - 30mm Diameter x 20mm Depth - Matt Black

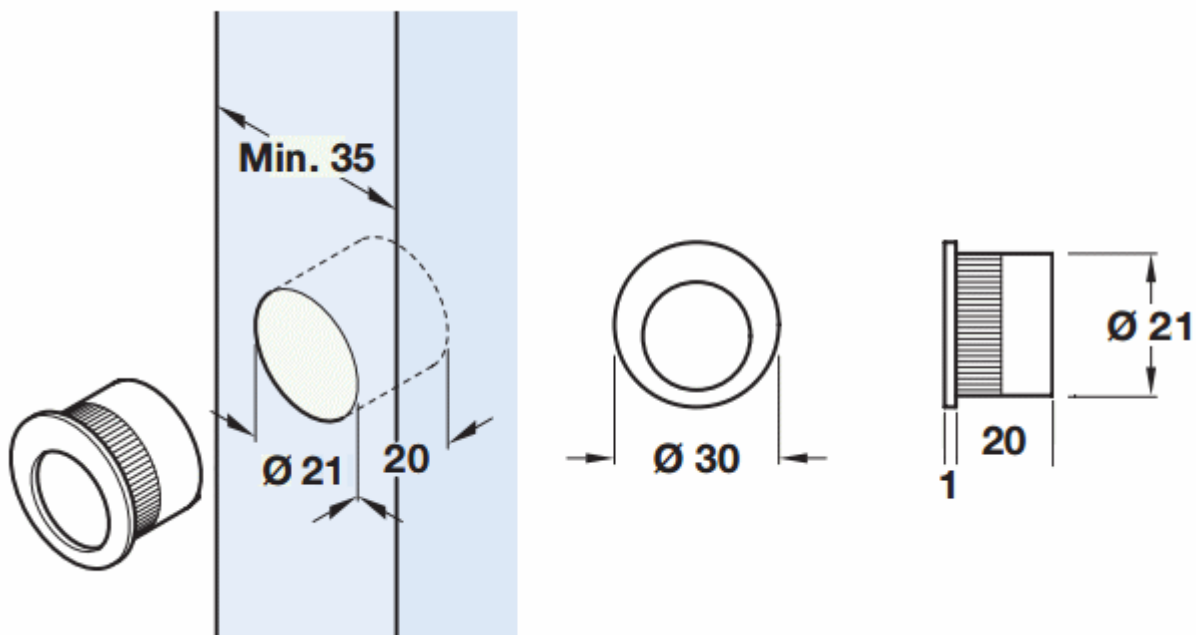
Product Images



Description

- Contemporary design circular shape flush fitting edge pull handle for sliding doors.
- Ideal for use on sliding pocket doors, this item fits into the edge of the door giving the user a finger grip to pull the door out of the wall cavity.
- Made from stainless steel
- This item has to be morticed (cut) into the door to allow it to sit fit flush.
- Sleek minimal look thanks to discreet fixings. - (This item is fixed via one wood screw from inside the recess).

Size Details



Item Code	Diameter	Depth	Recess Diameter
48126.1	30mm	20mm	20mm

Base Material

- Made from stainless steel.

Finish Details

- Matt black

Alternative Finishes Available

- Polished stainless steel - (Shiny finish)
- Satin stainless steel - (brushed finish).

Fixings

- This handle is fitted via 1 x wood screw inside the recess of the handle.

Unit Of Sale

- This item is sold individually - (Each)

Products in this set



48126.1 - Circular Flush Fitting Edge Pull - 30mm Diameter x 20mm Depth - Matt Black