
Square Flush Fitting Edge Pull For Sliding Doors - 30mm x 30mm - Matt Black

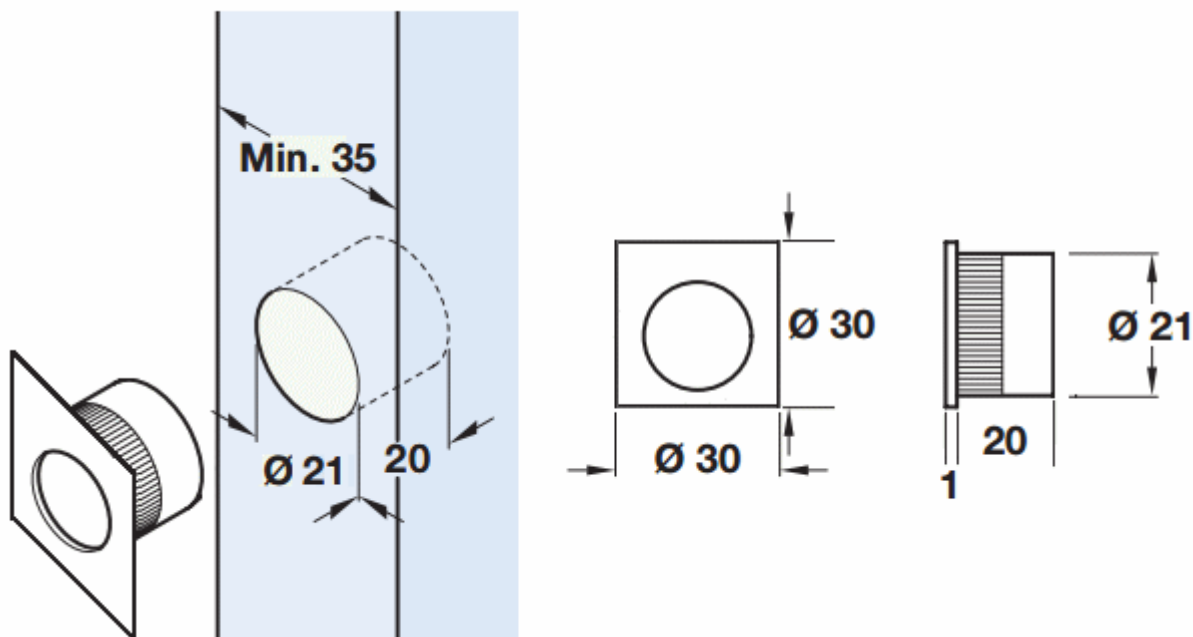
Product Images



Description

- Contemporary design square shape flush fitting edge pull handle for sliding doors.
- Ideal for use on sliding pocket doors, this item fits into the edge of the door giving the user a finger grip to pull the door out of the wall cavity.
- Made from stainless steel this item is a satin (brushed) finish.
- This item has to be morticed (cut) into the door to allow it to sit fit flush.
- Sleek minimal look thanks to discreet fixings. - (This item is fixed via one wood screw from inside the recess).

Size Details



Item Code	Size	Depth	Recess Diameter
48127.1	30mm x 30mm	20mm	21mm

Base Material

- Made from stainless steel.

Finish Details

- Matt Black

Alternative Finishes Available

- Polished stainless steel - (Shiny finish).
- Satin stainless steel - (brushed finish).

Fixings

- This handle is fitted via 1 x wood screw inside the recess of the handle.

Unit Of Sale

- This item is sold individually - (Each)

Products in this set



48127.1 - Square Flush Fitting Edge Pull - 30mm x 30mm x 20mm Depth - Matt Black