

---

## Round Design Flush Pull Handle Set For Sliding Pocket Doors - Polished Brass (Lacquered)

### Product Images

---



## Description

---

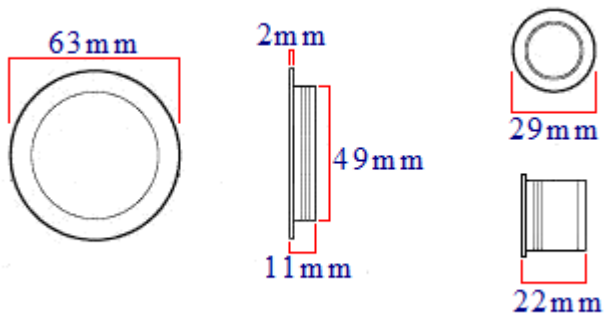
- Polished Brass steel flush pull handle set for sliding pocket doors.
- Round design rebated handles and circular sedge pull.
- Complete kit includes.
  - 2x Sliding door flush handles for fitting to the inside / outside faces of the door.
  - 1x Edge pull handle to help pull the sliding door out of the wall cavity (pocket).

### Finish

- Polished Brass

### Dimensions

- Flush handles - 63mm diameter overall diameter (cut out 49mm diameter x 11mm depth).
- Edge Pull - 29mm diameter x 22mm depth.



### Products in this set

---



48229.1 - Round Design Flush Pull Handle Set For Sliding Pocket Doors - Polished Brass (Lacquered) - Set