
Round Design Flush Pull Handle Set For Sliding Pocket Doors - Satin Nickel

Product Images



Description

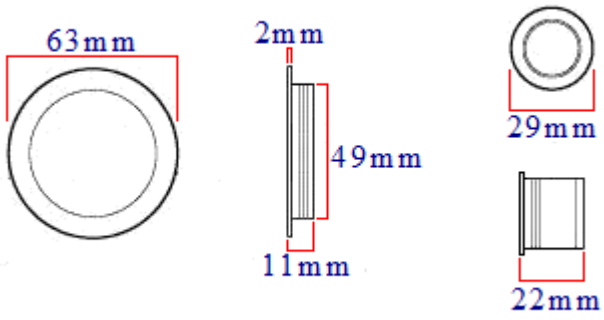
- Satin Nickel steel flush pull handle set for sliding pocket doors.
- Round design rebated handles and circular sedge pull.
- Complete kit includes.
 - 2x Sliding door flush handles for fitting to the inside / outside faces of the door.
 - 1x Edge pull handle to help pull the sliding door out of the wall cavity (pocket).

Finish

- Satin Nickel

Dimensions

- Flush handles - 63mm diameter overall diameter (cut out 49mm diameter x 11mm depth).
- Edge Pull - 29mm diameter x 22mm depth.



Products in this set



48232.1 - Round Design Flush Pull Handle Set For Sliding Pocket Doors - Satin Nickel - Set