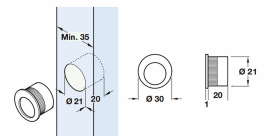


## Circular Flush Fitting Edge Pull - 30mm Diameter x 20mm Depth - Satin Chrome

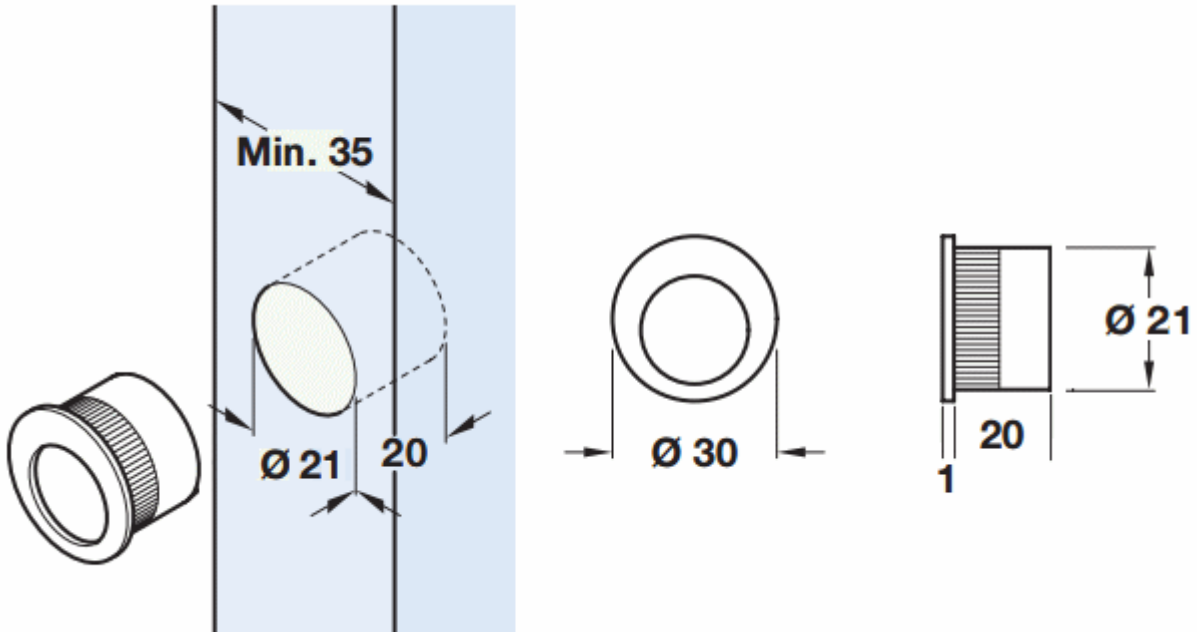
### Product Images



### Description

- Contemporary design circular shape flush fitting edge pull handle for sliding doors.
- Ideal for use on sliding pocket doors, this item fits into the edge of the door giving the user a finger grip to pull the door out of the wall cavity.
- This item has to be morticed (cut) into the door to allow it to sit fit flush.
- Sleek minimal look thanks to discreet fixings. - (This item is fixed via one wood screw from inside the recess).

## Size Details



Item Code	Diameter	Depth	Recess Diameter
48235.1	30mm	20mm	20mm

## Finish Details

- Satin Chrome

## Fixings

- This handle is fitted via 1 x wood screw inside the recess of the handle.

## Unit Of Sale

- This item is sold individually - (Each)

## Products in this set



48235.1 - Circular Flush Fitting Edge Pull - 30mm Diameter x 20mm Depth - Satin Chrome - Each