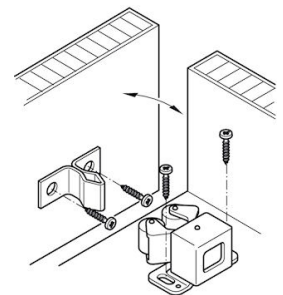
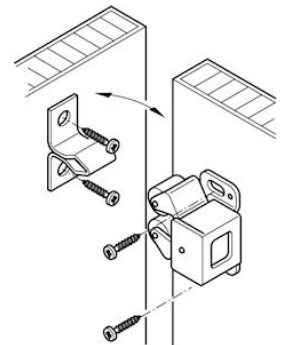
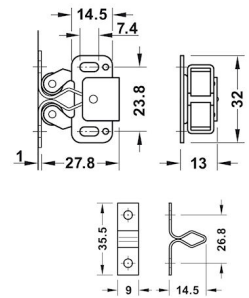


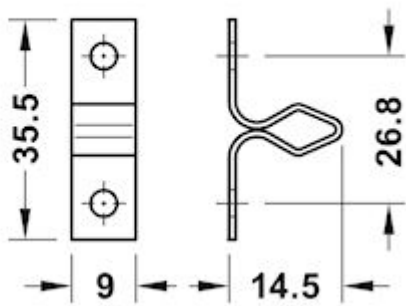
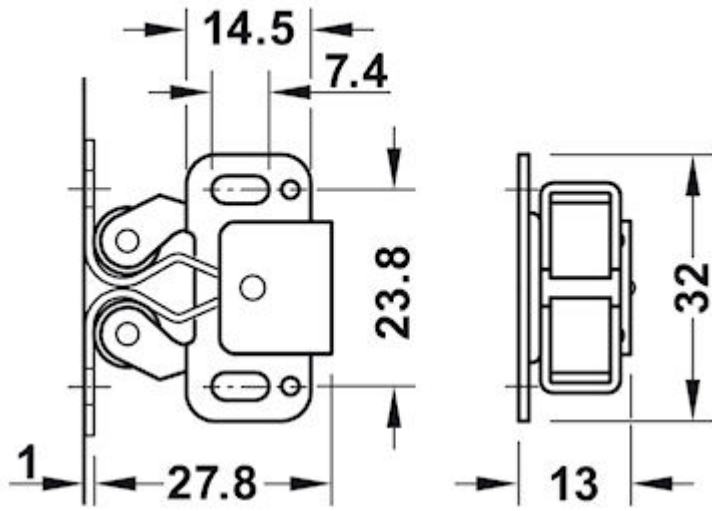
## Twin Roller Catch For Light Weight Cupboard Doors - Bronze

### Product Images

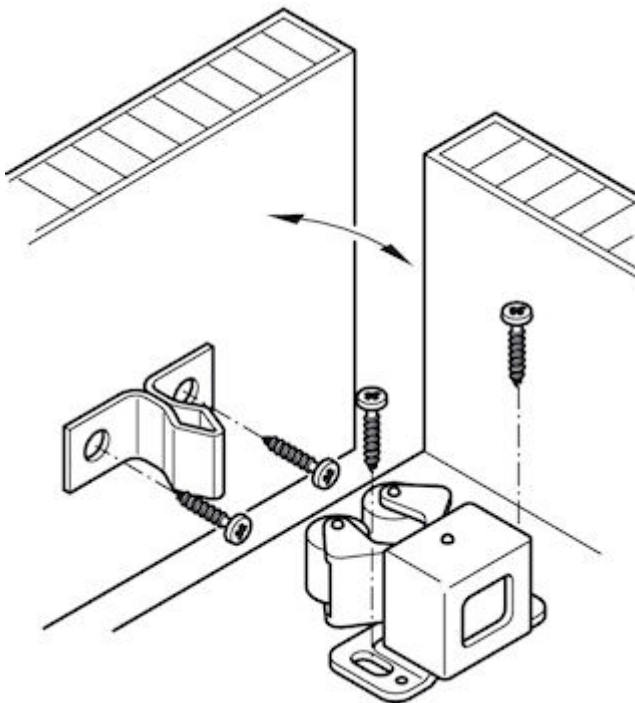


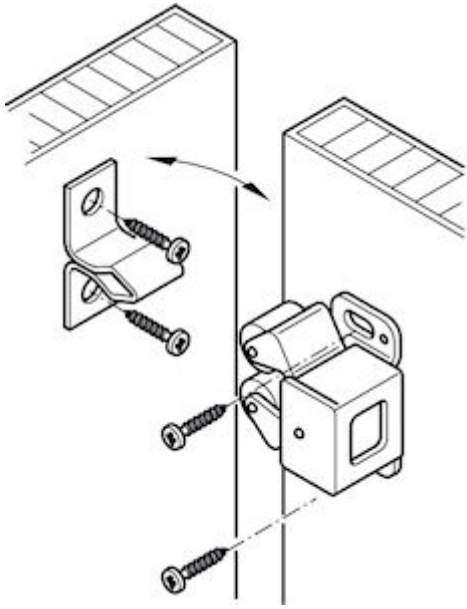
### Description

- Light weight double ball catch suitable for light weight cupboard doors and panels
- 38mm x 32mm x 13mm
- Bronze finish



#### Fixing Positions





### Products in this set

---



48238.1 - Twin Roller Catch For Light Weight Cupboard Doors - Bronze