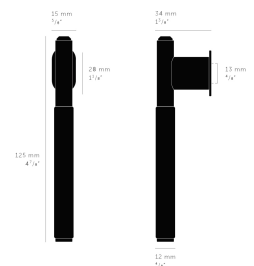
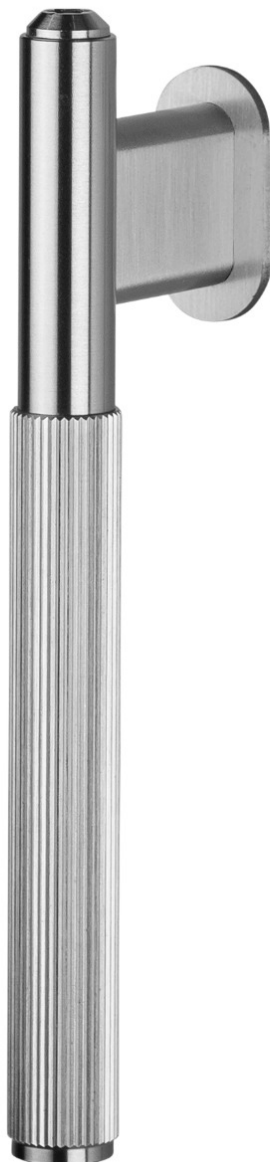


Linear Pattern L Shape Pull Bar Cabinet & Cupboard Handle - Satin Stainless Steel

Product Images



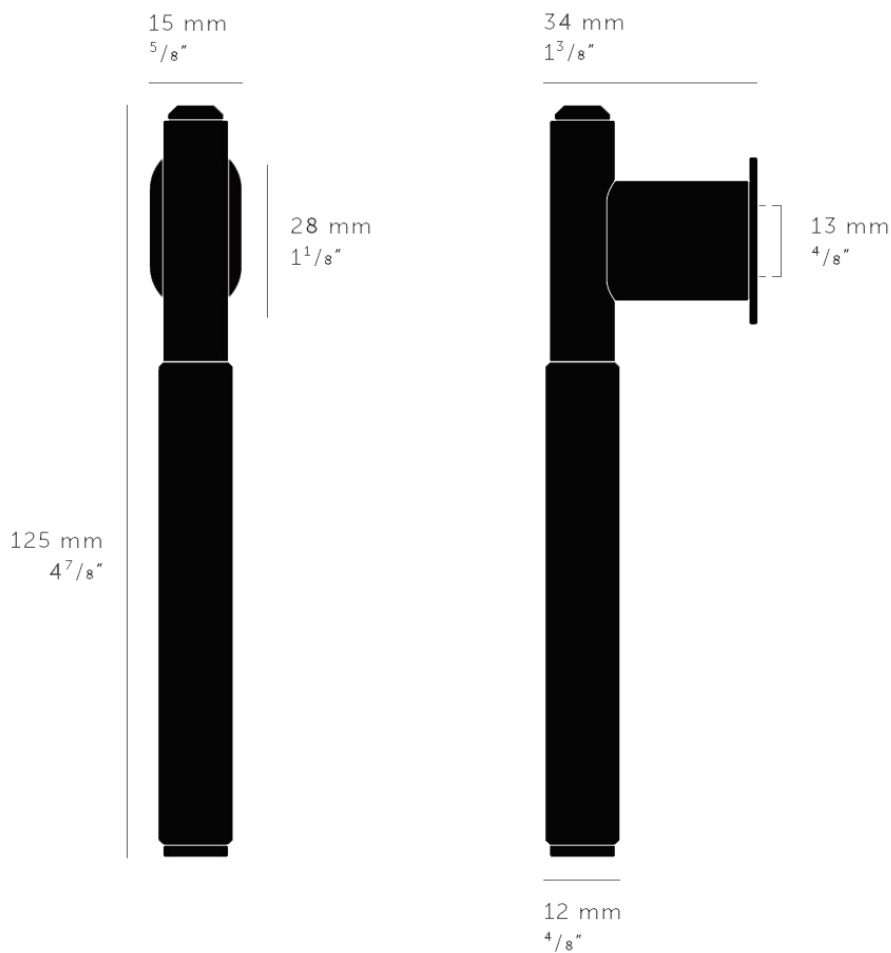
Description

- Buster & Punch linear pattern L shape pull bar for cabinet and cupboard doors, satin stainless steel.
- Contemporary L shape pull handle.

- Ideal for use on, kitchen cabinet doors, wardrobes, cupboard doors and drawers.

Size Details

- 125mm length x 34mm projection – 12mm diameter bar.



Finish Details

- Satin stainless steel.

Fixings

- This cupboard handle is fitted via 2x **M6** bolts from the rear of the door / drawer.
- Bolt through fixings provide a superior strong fixing allowing this knob to be fitted to tall or heavy doors.
- Supplied with a 25mm long bolt - suitable for use on 18mm thick doors.
- For doors thicker than 18mm, longer M6 fixing bolts are required, please contact us with your requirements.

Unit Of Sale

- These cupboard handles are sold individually - (each).



48250.1 - Linear Pattern L Shape Pull Bar Cabinet & Cupboard Handle - 125mm Length x 34mm
Projection - 12mm Diameter Bar - Satin Stainless Steel - Each

Products in this set