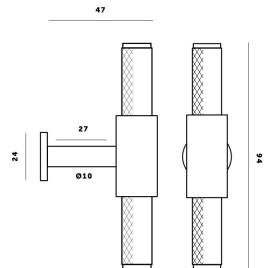

Buster & Punch Diamond Cut Knurled Pattern T-Bar Cabinet Door Pull Handle - Satin Brass (Lacquered)

Product Images

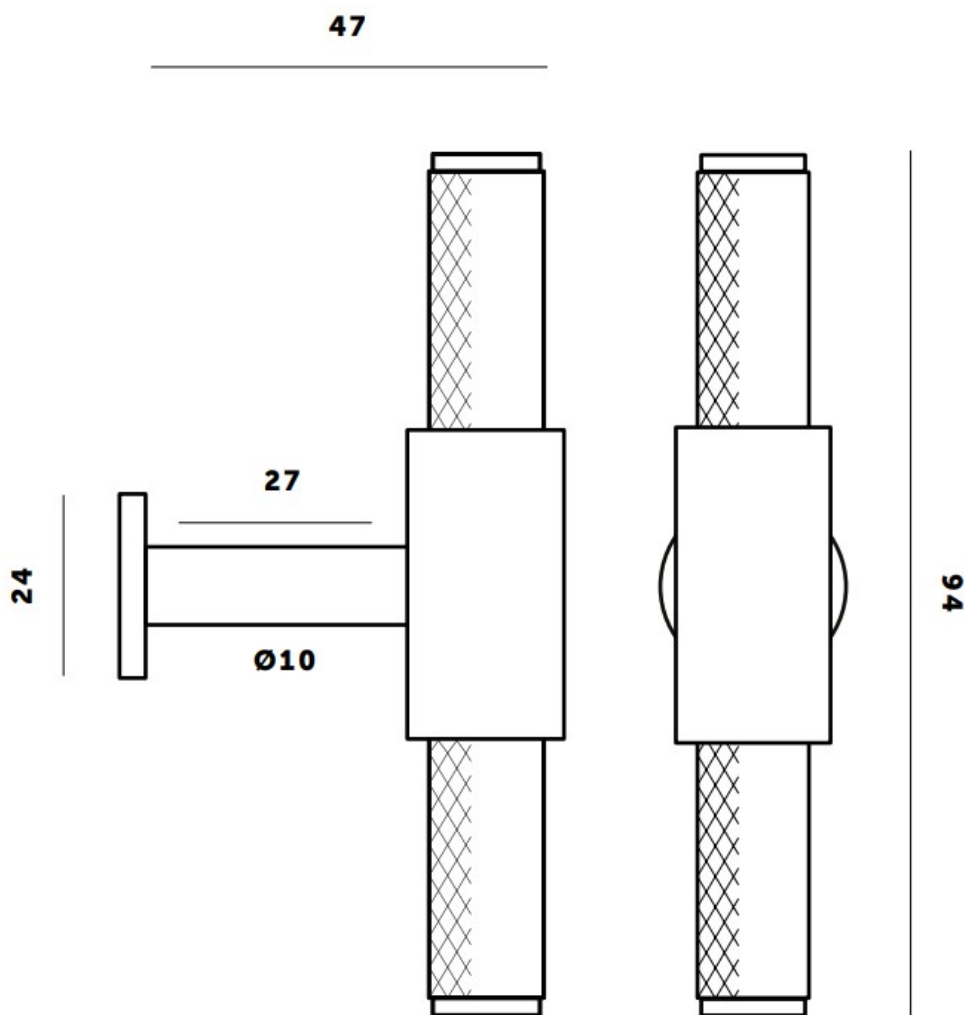


Description

- Buster & knurled pattern T-Bar shape cabinet pull handle, Satin Brass.
- T-Bar shape with diamond cut knurled design.
- Ideal for use on, kitchen cabinet doors, wardrobes, cupboard doors and drawers.

Size Details

- 94mm length x 47mm projection.



Finish Details

- Satin Brass

Fixings

- This T-Bar handle is fitted via a **M5** bolt from the rear of the door / drawer - see below diagram.
- Bolt through fixings provide a superior strong fixing allowing this knob to be fitted to tall or heavy doors.
- Supplied with a 30mm long bolt - suitable for use on 18mm thick doors.
- For doors thicker than 18mm, longer M5 fixing bolts are required, please contact us with your requirements.

Unit Of Sale

- Each - (1 x T-Bar handle).

Products in this set



48272.1 - Diamond Cut Knurled Pattern T-Bar Cabinet Door Pull Handle - 94mm Length x 47mm Projection - Satin Brass (Lacquered) - Each