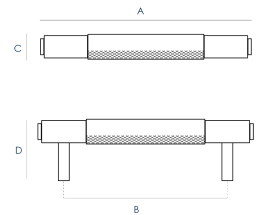


## Buster & Punch Diamond Cut Knurled Pattern Pull Bar Handle - Available In Three Sizes - Smoked Bronze

### Product Images

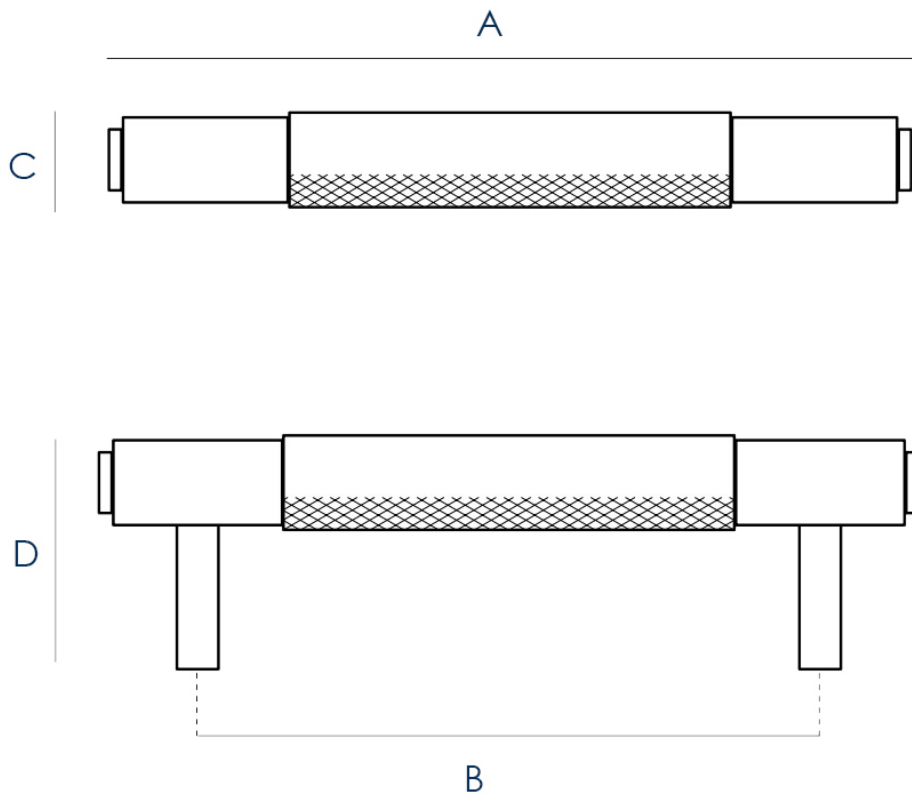


### Description

- Buster & Punch knurled pattern cabinet pull bar handle, Smoked Bronze.
- Chunky industrial design with diamond cut knurled pattern grip.
- Ideal for use on, kitchen cabinet doors, wardrobes, cupboard doors and drawers.

### Size Details

- Available in four sizes:



Item Code	Overall Length (A)	Fixing Centres (B)	Bar Diameter (C)	Projection (D)
48281.1	160mm	125mm	18mm	47mm
48281.2	260mm	225mm	18mm	47mm
48281.3	360mm	325mm	18mm	47mm
48281.4	770mm	725mm	18mm	50mm

## Finish Details

- Smoked Bronze

## Fixings

- This cupboard handle is fitted via **M5** bolts from the rear of the door / drawer - see below diagram.
- Bolt through fixings provide a superior strong fixing allowing this knob to be fitted to tall or heavy doors.
- Supplied with a 25mm long bolt - suitable for use on 18mm thick doors.
- For doors thicker than 18mm, longer M5 fixing bolts are required, please contact us with your requirements.

## Unit Of Sale

- Each - (1 x cupboard handle).

## Products in this set

---



48281.1 - Diamond Cut Knurled Pattern Pull Bar Handle - 160mm Length (125mm Fixing Centres) x 18mm Diameter Grip - Smoked Bronze - Each



48281.2 - Diamond Cut Knurled Pattern Pull Bar Handle - 260mm Length (225mm Fixing Centres) x 18mm Diameter Grip - Smoked Bronze - Each



48281.3 - Diamond Cut Knurled Pattern Pull Bar Handle - 360mm Length (325mm Fixing Centres) x 18mm Diameter Grip - Smoked Bronze - Each



48281.4 - Diamond Cut Knurled Pattern Pull Bar Handle - 770mm Length (725mm Fixing Centres) x 18mm Diameter Grip - Smoked Bronze - Each