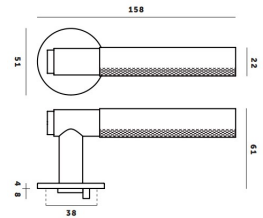
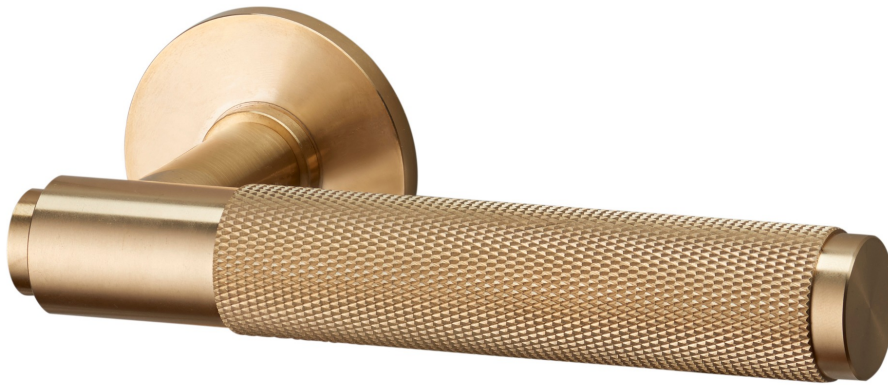


Buster & Punch Diamond Cut Knurled Pattern Lever Door Handles On Round Rose - Sprung - Satin Brass (Lacquered)

Product Images



Description

- Buster & Punch knurled pattern lever door handles on round rose.
- 22mm diameter lever with diamond cut cross knurl pattern grip.
- Suitable for residential use.
- Slim 4mm thick rose.

How To Order Lever Handles With A Rose

- **For Non-Locking Doors** - 1 x (Pair) Lever Handles Only



- **For Locking Doors** - 1 x (Pair) Lever Handles Only + 1 x (Pair) Standard Escutcheons



- **For Euro Cylinder Locking Doors** - 1 x (Pair) Lever Handles Only + 1 x (Pair) Euro Escutcheons



- **For Locking Bathroom Doors** - 1 x Pair Lever Handles Only + 1 x (Set) Turn & Emergency Release



Matching Accessories

- See related products at the bottom of the page for matching escutcheons and bathroom turn & release.

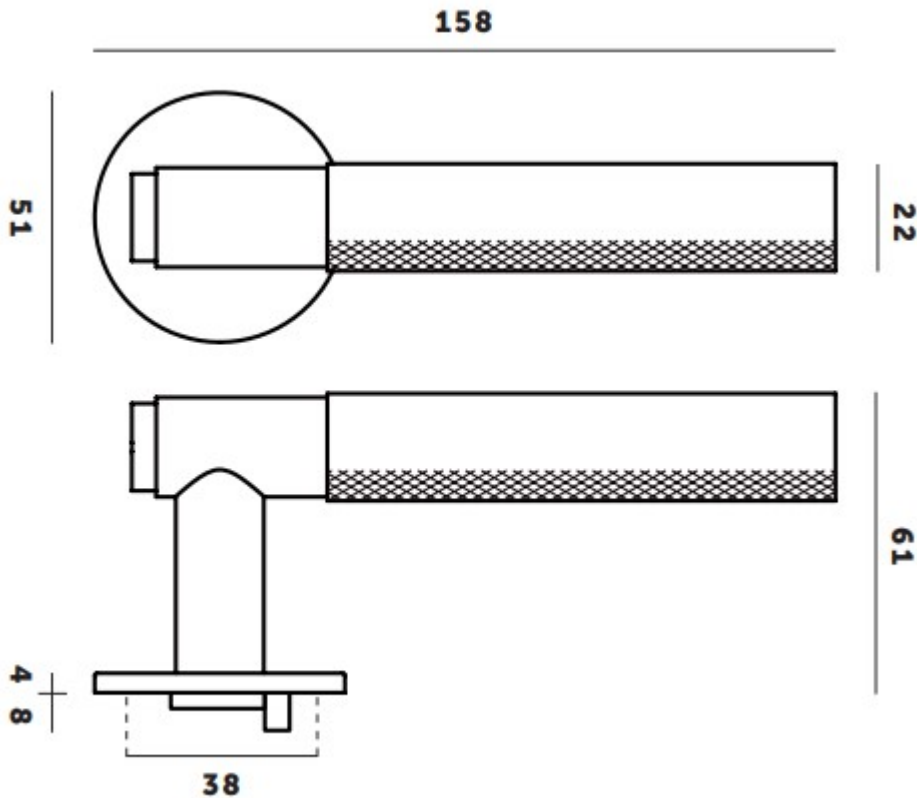
Finish Details

- Satin Brass

Operation

- Both levers are sprung to ensure the lever always returns to its starting position.

Dimensions



- Rose - 51mm x 4mm
- Lever - 158mm x 22mm
- 8mm x 8mm square - UK Standard.
- Suits doors 35mm - 44mm thick.

Fixings

- Concealed bolt together fixings via male and female bolts
- Grub screw fixing to spindle for extra strength once fitted to the door
- Supplied with male and female bolt through fixings and 8mm spindle

Usage

- Suitable for residential use

Unit Of Sale

- Sold in pairs (One pair consists of 1x left hand and 1x right hand)

Products in this set



48292.1 - Buster & Punch Diamond Cut Knurled Pattern Round Rose Lever Door Handles - Sprung - Satin Brass (Lacquered) - (Pair)