
Half Moon Shape - Face Fix Cup Handle - Matt Black

Product Images

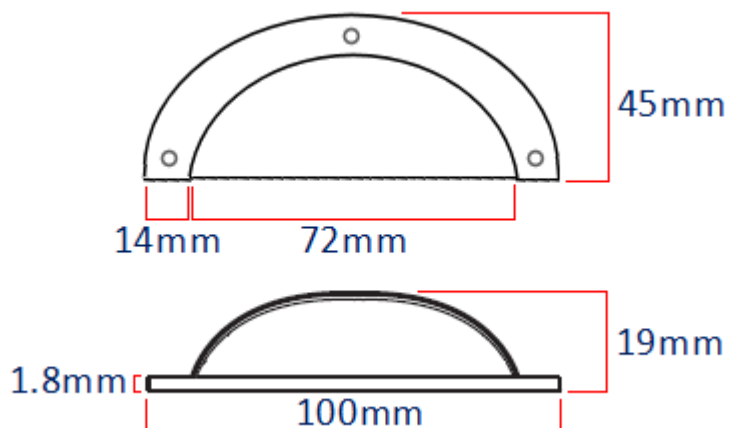


Description

- Traditional half moon shape cup handle.
- Traditional face fix design via supplied wood screws.
- This popular, classic design handle is suitable for use in traditional areas including, kitchen cabinet doors, wardrobes, cupboard doors and drawers.
- Also suitable for use as a sash handle to lift up a sliding sash window.

Dimensions

- 100mm x 45mm



Base Material

- Made from solid brass

Finish Details

- Matt Black

Fixings

- This handle is face fixed to the door, drawer or window via traditional slotted wood screws
- Supplied with matching raised head slotted screws

Unit Of Sale

- This cabinet handle is sold individually - Each

Products in this set



48369.1 - Half Moon Shape - Face Fix Cup Handle - 100mm Width - Matt Black - Each