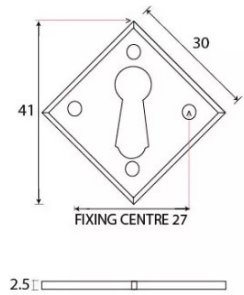


Diamond Standard Profile Escutcheon - Face Fixed - Pewter

Product Images



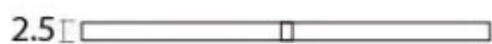
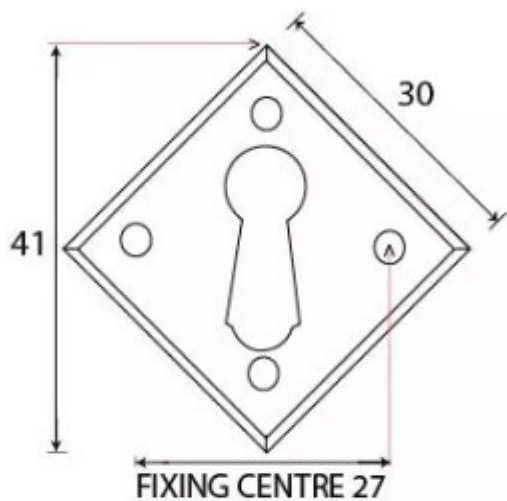
Description

- Diamond shaped uncovered escutcheon
- Internal or external use

Finish

- Pewter

Dimensions



- Overall Size: 41mm x 41mm
- Overall Thickness: 2.5mm

Important Info Before You Buy

- Standard Profile key hole shape and size to suit most internal and external mortice locks
- Sold individually
- Supplied with all fixings

Products in this set



48846.1 - Diamond Standard Profile Escutcheon - Face Fixed - 41mm x 41mm - Pewter - Each