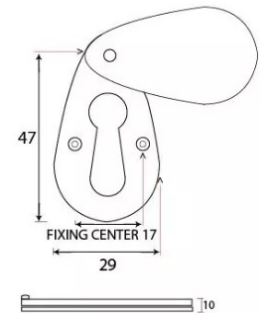


Plain Standard Profile Covered Escutcheon - Face Fixed - Polished Nickel

Product Images



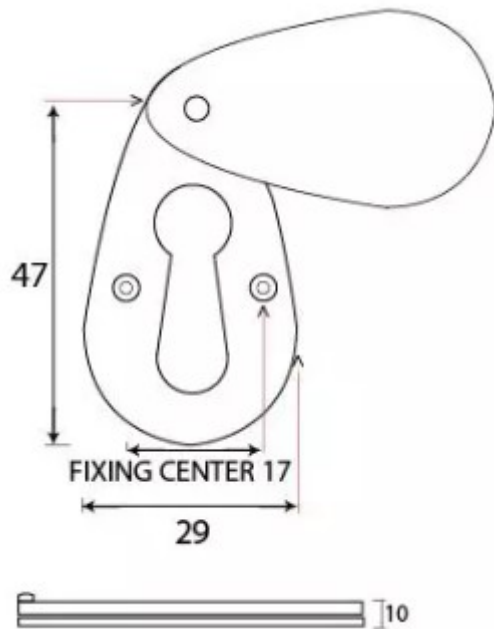
Description

- shaped covered escutcheon
- Internal or external use

Finish

- Polished Nickel

Dimensions



- Overall Size: 47mm x 29mm
- Overall Thickness: 10mm

Important Info Before You Buy

- Standard Profile Covered key hole shape and size to suit most internal and external mortice locks
- Sold individually
- Supplied with all fixings

Products in this set



48873.1 - Plain Standard Profile Covered Escutcheon - Face Fixed - 47mm x 29mm - Polished Nickel - Each