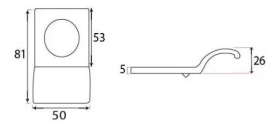


Blacksmith Rim Cylinder Pull - External Beeswax

Product Images



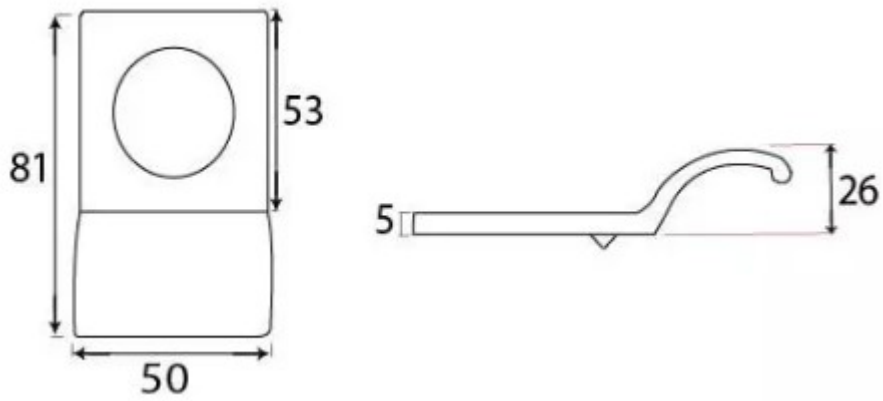
Description

- Front door cylinder pull
- Suits standard Yale sized cylinders
- Fits round the cylinder from a night latch (Yale Lock)

Finish

- External Beeswax

Dimensions



- Hole diameter - 32mm
- Overall Size: 81mm x 50mm
- Projection From Door - 26mm

Important Info Before You Buy

- This cylinder pull is designed to replace the ring round the cylinder
- To fit - Take of the lock on the inside of the door - Pull out the cylinder - Remove the ring - Put the pull on the door (drill a small hole for spike screw) - Push cylinder through door - Fix lock back on to inside of the door
- Comes with spike attached to back of pull to stop the pull spinning round
- Suits standard Yale sized cylinders - 32mm diameter

Products in this set



48893.1 - Blacksmith Rim Cylinder Pull - 81mm x 50mm - External Beeswax - Each