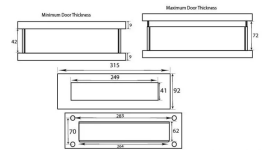


Traditional Sleeved Letter Plate - Draught Proof With Internal Brush - Polished Nickel

Product Images



Description

- Traditional draught proof sleeved letter plate set
- Our traditional Letter Plates & covers are an attractive option for numerous door types
- A combination of external foam seals and internal nylon brushes maximises weather sealing and draught proofing

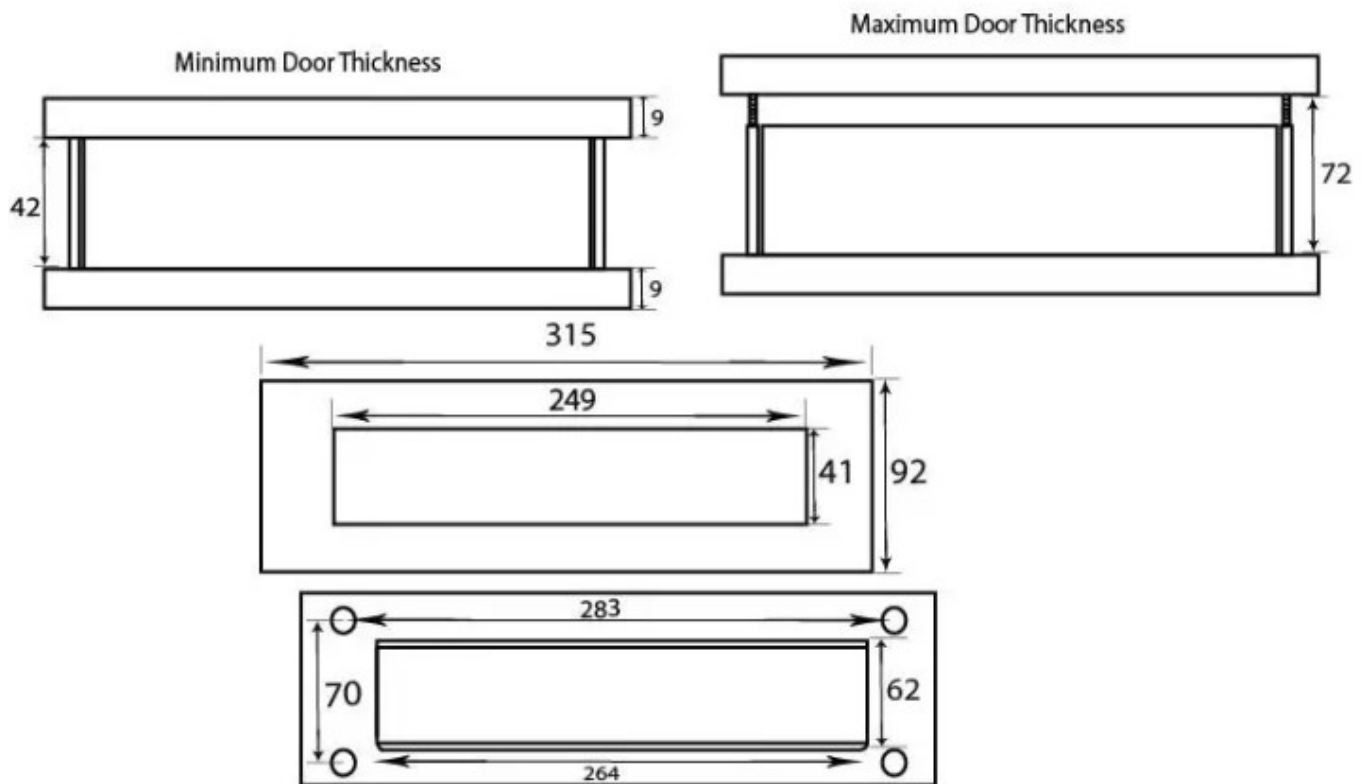
Operation

- Lift up flap.
- Built in foam seal and internal brush.

Finish

- Polished Nickel

Dimensions



- Overall Size: 315mm x 92mm
- Opening Size: 249mm x 41mm
- Fixing Centres: 283mm
- Maximum Door Thickness: 72mm
- Minimum Door Thickness: 42mm

Important Info Before You Buy

- Suitable for wooden doors.
- Spring loaded to keep the flap closed.
- Set - (includes both the external and internal plate).

Products in this set



48988.1 - Traditional Sleeved Letter Plate - Draught Proof With Internal Brush - 315mm x 92mm (283mm Fixing Centres) - Polished Nickel - Set