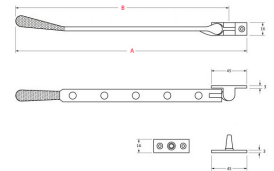


Newbury Hammered Pattern Window Stay - Available In Three Sizes - Polished Solid Bronze

Product Images



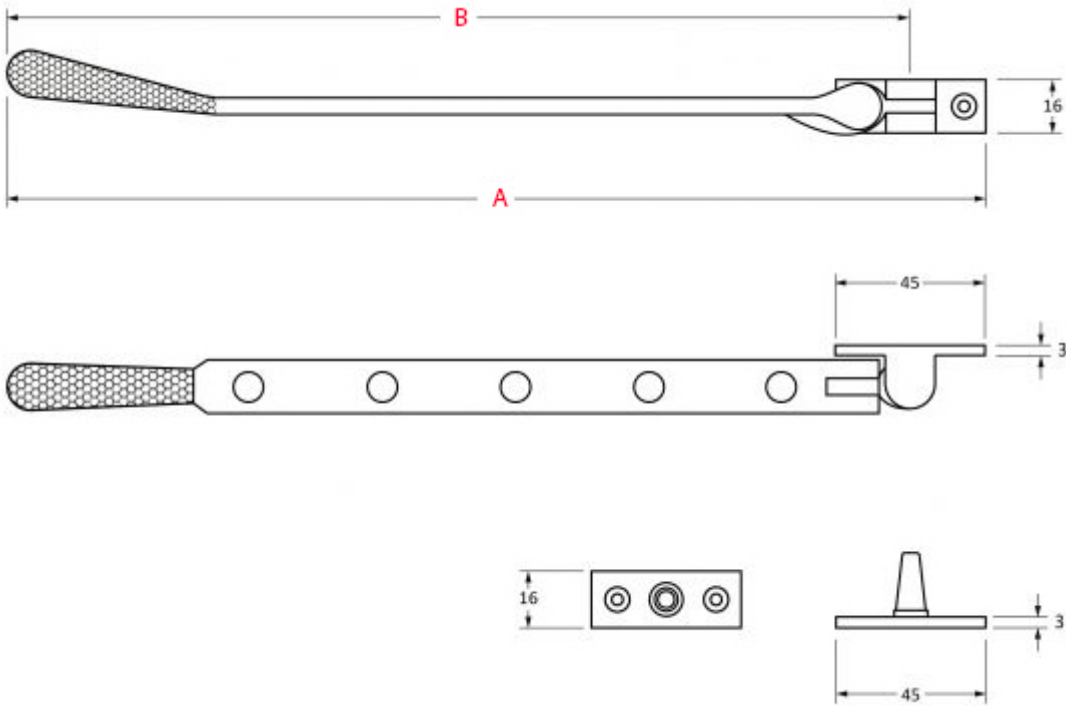
Description

- The Newbury hammered range of products are meticulously hand-hammered by skilled craftsmen
- The textured surface this creates is well suited to a wide variety of settings
- Heavy weight pattern
- Hand-hammered end design handle
- A casement stay is the handle or "arm" that fixes to the bottom of the window to help push the window open and pull the window closed
- The casement arm sits on pins this makes the window "stay" in position when in the open or closed position

Finish

- Polished Solid Bronze

Dimensions



Available in three lengths

- Overall Size **A** On The Above Diagram

- 249mm Overall Length (8 Inches) - 49043.1
- 296mm Overall Length (10 Inches) - 49043.2
- 335mm Overall Length (12 Inches) - 49043.3

- Stay arm **B** On The Above Diagram

- 228mm - 49043.1
- 275mm - 49043.2
- 314mm - 49043.3

Important Info Before You Buy

- Suitable for use on wooden windows
- Suits standard outward opening casement windows
- Comes supplied with fixing screws and two standard pins
- Designed to match the Newbury window espags in the range

Products in this set



49043.1 - Newbury Hammered Pattern Window Stay - 249mm Overall Length (8 Inches) - Polished Solid Bronze - Each



49043.2 - Newbury Hammered Pattern Window Stay - 296mm Overall Length (10 Inches) - Polished Solid Bronze - Each



49043.3 - Newbury Hammered Pattern Window Stay - 335mm Overall Length (12 Inches) - Polished Solid Bronze - Each