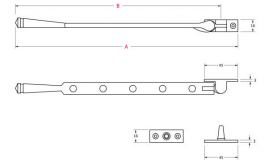


Avon Pattern Window Stay - Available In Three Sizes - Polished Solid Bronze

Product Images



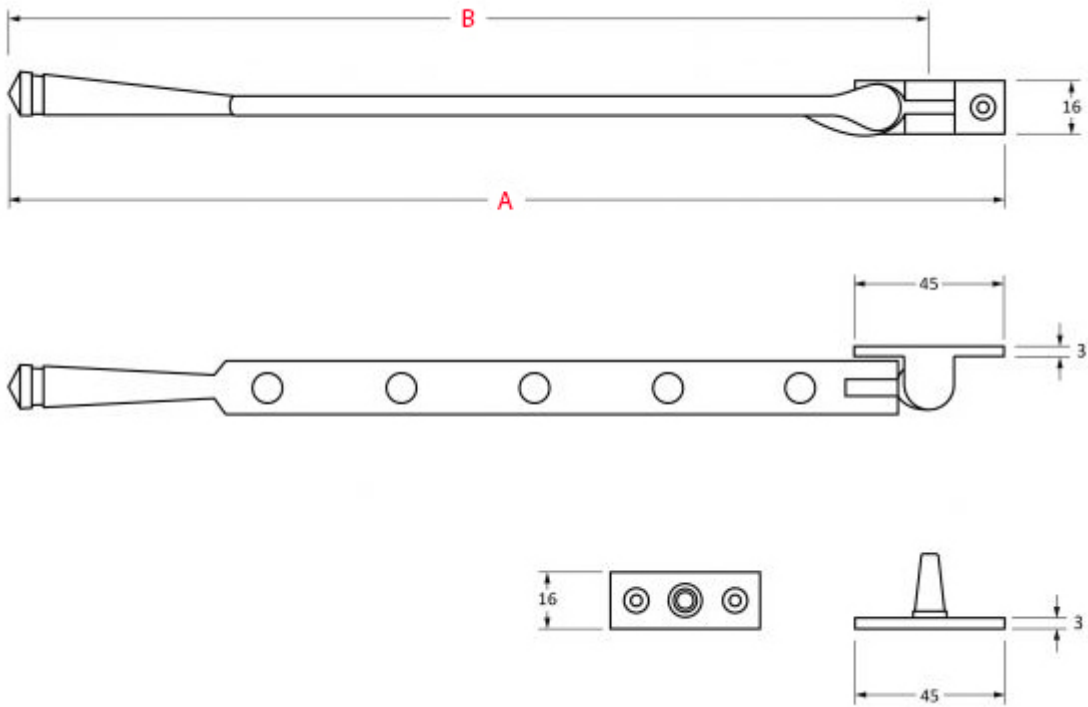
Description

- The simple Avon design is both contemporary and traditional, fitting into all setting
- This four sided design is created by hand with a series of hammer blows
- Heavy weight pattern
- Four sided design handle
- A casement stay is the handle or "arm" that fixes to the bottom of the window to help push the window open and pull the window closed
- The casement arm sits on pins this makes the window "stay" in position when in the open or closed position

Finish

- Polished Solid Bronze

Dimensions



Available in three lengths

- Overall Size **A** On The Above Diagram

- 252mm Overall Length (8 Inches) - 49047.1
- 299mm Overall Length (10 Inches) - 49047.2
- 338mm Overall Length (12 Inches) - 49047.3

- Stay arm **B** On The Above Diagram

- 232mm - 49047.1
- 278mm - 49047.2
- 317mm - 49047.3

Important Info Before You Buy

- Suitable for use on wooden windows
- Suits standard outward opening casement windows
- Comes supplied with fixing screws and two standard pins
- Designed to match the Avon window espags in the range

Products in this set



49047.1 - Avon Pattern Window Stay - 252mm Overall Length (8 Inches) - Polished Solid Bronze - Each



49047.2 - Avon Pattern Window Stay - 299mm Overall Length (10 Inches) - Polished Solid Bronze - Each



49047.3 - Avon Pattern Window Stay - 338mm Overall Length (12 Inches) - Polished Solid Bronze - Each