

## Monkeytail Pattern Straight Design Universal Door Bolt - Black

### Product Images



### Description

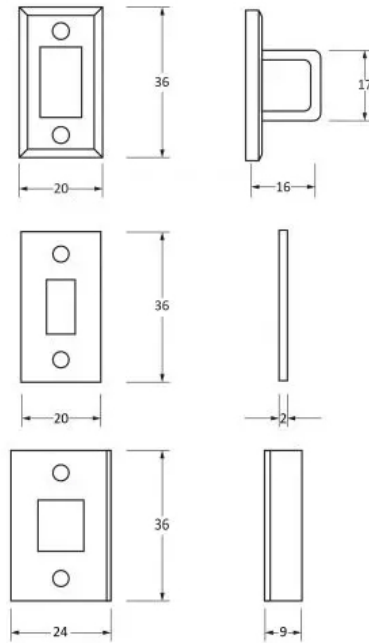
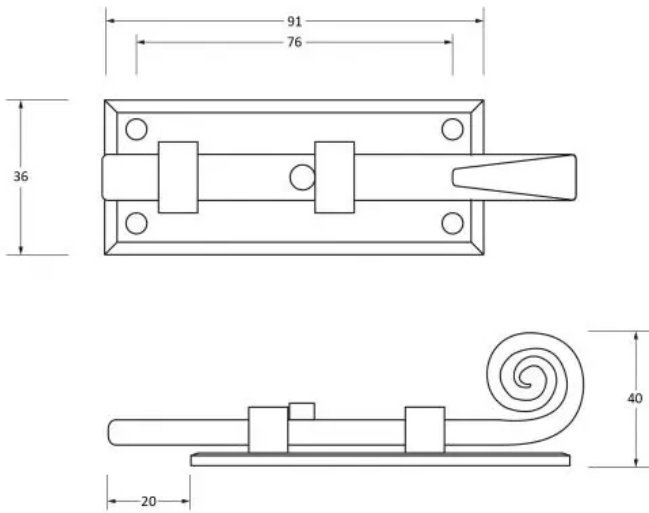
- Monkeytail pattern straight design universal door bolt
- A multi purpose bolt which can be used on windows or doors and in other applications due to a variety of keeps supplied with the product
- Can be used horizontally & vertically due to the strong spring mechanism incorporated into the bolts
- Designed for use on French windows (patio doors), front doors, back doors and cupboards
- Suitable for inward or outward opening door (supplied with 3 x fixing plates)

### Finish

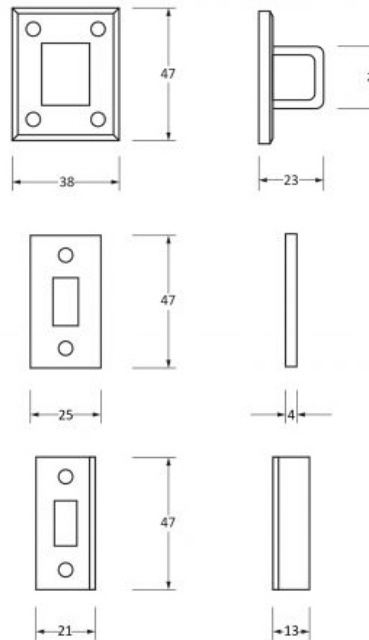
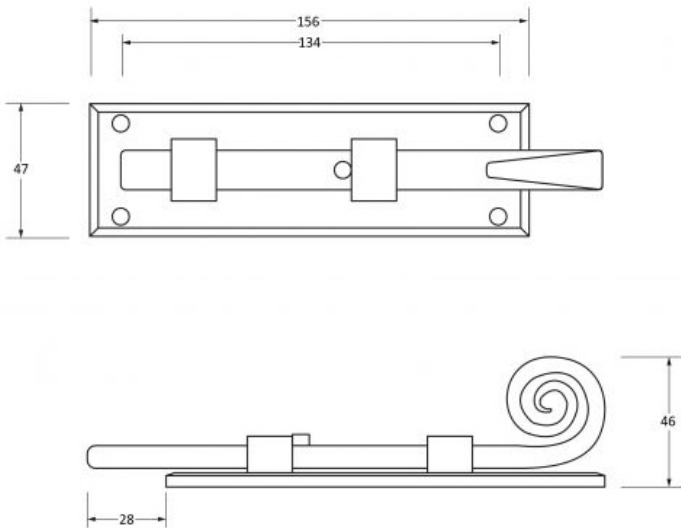
- Black

### Dimensions

- **Two sizes available**
- 91mm x 36mm (4")



● 156mm x 47mm (6")



● **3 Styles of receivers**

- Receiver Plate: 36mm x 20mm x 3mm
- Receiver Bridge: 36mm x 20mm x 16mm
- Angled Keep: 36mm x 24mm x 9mm

**Important Info Before You Buy**

- sold individually
- Supplied with matching wood screws

## Products in this set

---



49090.1 - Monkeytail Pattern Straight Design Universal Door Bolt - 91mm x 36mm (4") - Black - Each



49090.2 - Monkeytail Pattern Straight Design Universal Door Bolt - 156mm x 47mm (6") - Black - Each