

Back To Back Fixing Kit To Suit Tubular Shaped 19mm Diameter Pull Handles - Matt Black

Product Images



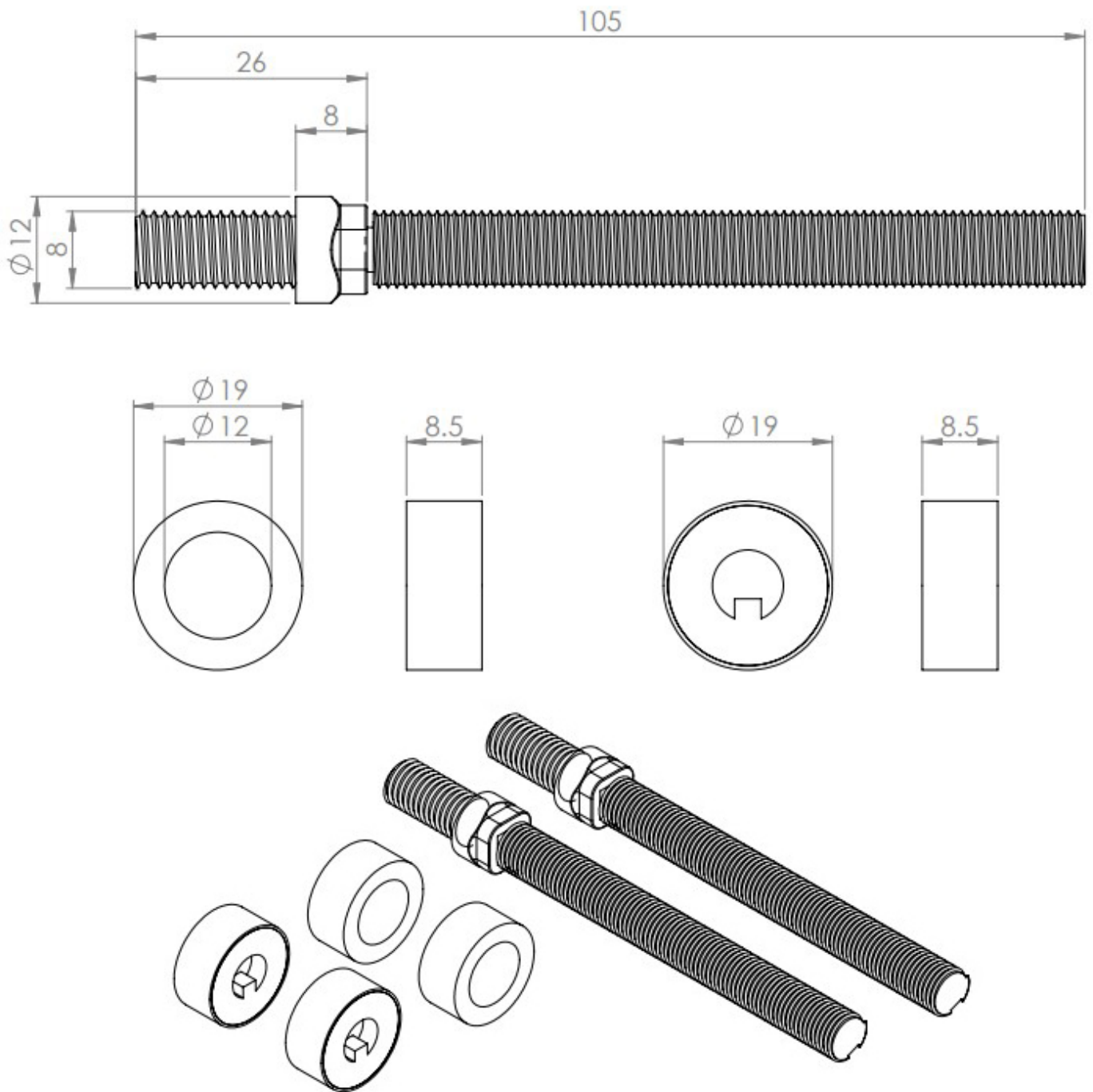
Description

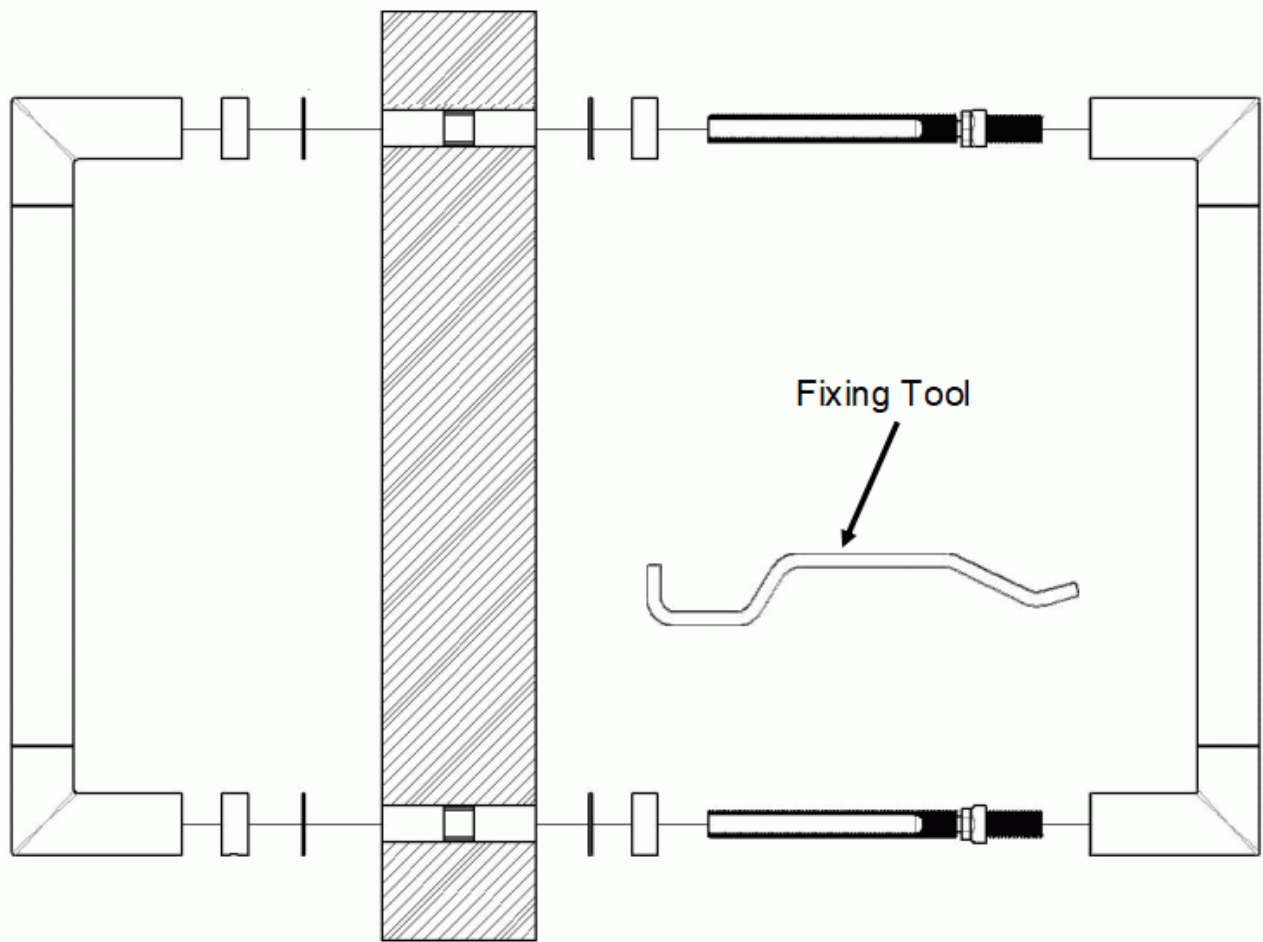
- Back to back fixing kit for tubular design pull handles
- Allows 2x bolt through fixing pull handles to be fitted to either side of a door as a back to back pair
- Suitable for wooden, metal or glass doors
- Suits door thicknesses between 12mm - 55mm

Finish

- Matt Black

Dimensions





Important Info Before You Buy

- Supplied as a Kit (to connect 2 x pull handles together)
- *Back to back kit must match the diameter of the pull handle or the "post" diameter if you're ordering a T-Bar style guardsman pull handle.

Products in this set



49106.1 - Back To Back Fixing Kit To Suit Tubular Shaped 19mm Diameter Pull Handles - Matt Black - Kit