

---

## Modern Tubular Design Locking Window Fastener - Satin Stainless Steel

### Product Images

---



### Description

---

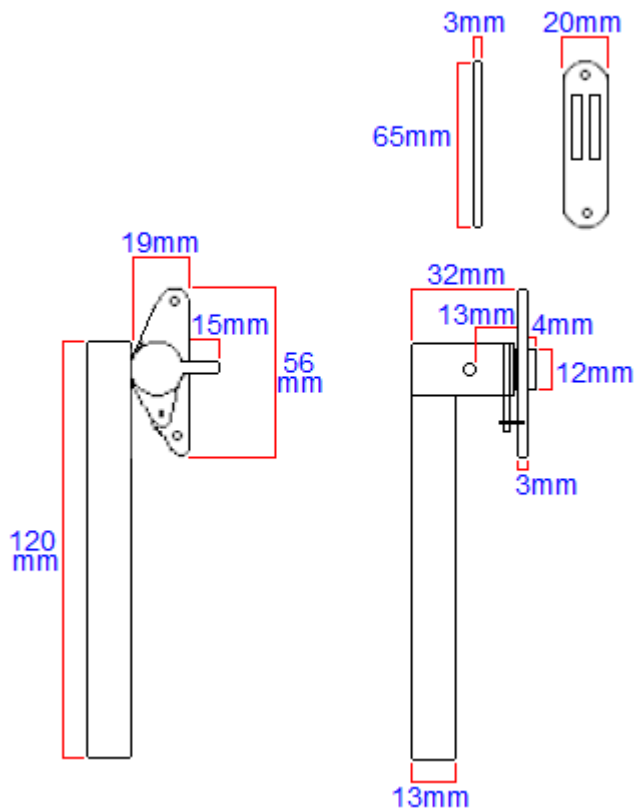
- Stainless steel modern designer locking window fastener
- High architectural quality
- Contemporary tubular design handle (13mm diameter)
- A casement fastener is fixed on the side of the window and is the handle used to keep the window closed
- Key lockable via an alun key and grub screw

- Fastener can be locked by screwing the grub screw into the fastener with the alun key provided. This stops the fastener from moving hence stopping the window from being opened
- This fastener is handed left (shown in image) or right
- A left hand fastener is used on windows that are hinged on the left
- A right hand fastener is used on windows that are hinged on the right

#### Finish

- Satin stainless steel

#### Dimensions



#### • LEFT HAND - SHOWN IN ABOVE DIAGRAM

- Handle diameter - 13mm
- Back Plate - Height - 56mm x Width - 19mm
- Overall Height - 140mm
- Tag Length - 15mm
- Mortice Plate - Height - 65mm x Width - 20mm

#### Important Information Before You Buy

- Suitable for wooden windows
- Comes supplied with mortice plate only (Hook plate sold separately)
- For standard outward opening windows the mortice plate is used
- For double windows or where the frame and window sit flush a hook plate is required
- Comes supplied with fixing screws
- This fastener is handed left and right
- Matching window stay to open and close the window also available

Products in this set

---



20143.1 - Architectural Quality Modern Tubular Design Locking Window Handle - Left Hand - Satin  
Stainless Steel



20143.2 - Architectural Quality Modern Tubular Design Locking Window Handle - Right Hand - Satin  
Stainless Steel