



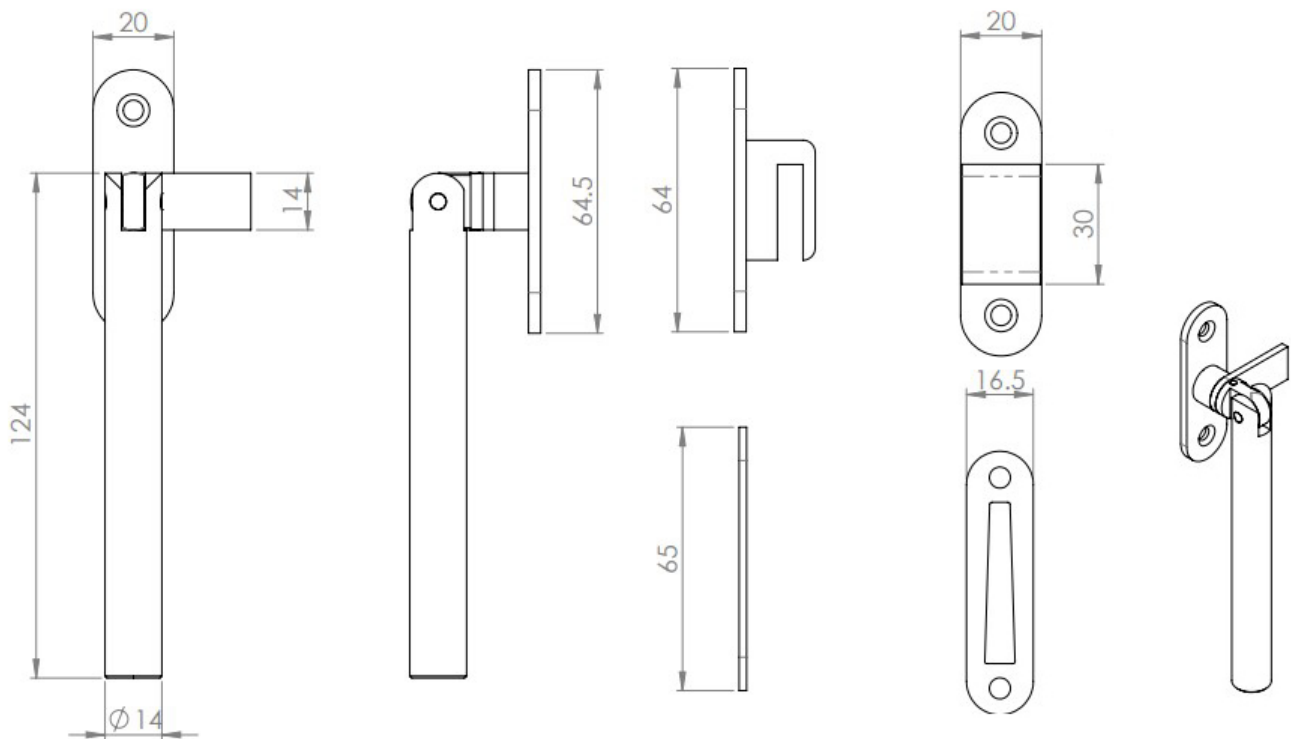
## Description

- Stainless steel modern designer window fastener
- High architectural quality
- Contemporary tubular design handle (14mm diameter)
- A casement fastener is fixed on the side of the window and is the handle used to keep the window closed

## Finish

- Satin stainless steel

## Dimensions



- Backplate Size - 64.5mm x 20mm

## Important Information Before You Buy

- Suitable for wooden windows
- Comes supplied with mortice plate and Hook plate
- For standard outward opening windows the mortice plate is used
- For double windows or where the frame and window sit flush a hook plate is required
- Comes supplied with fixing screws
- Matching window stay to open and close the window also available

## Products in this set

---



49124.1 - Tubular Design Window Fastener - Grade 316 - Satin Stainless Steel - Each