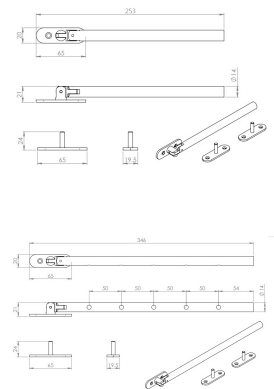


Tubular Design Casement Window Stay - Available In Two Sizes - Grade 316 - Satin Stainless Steel

Product Images



Description

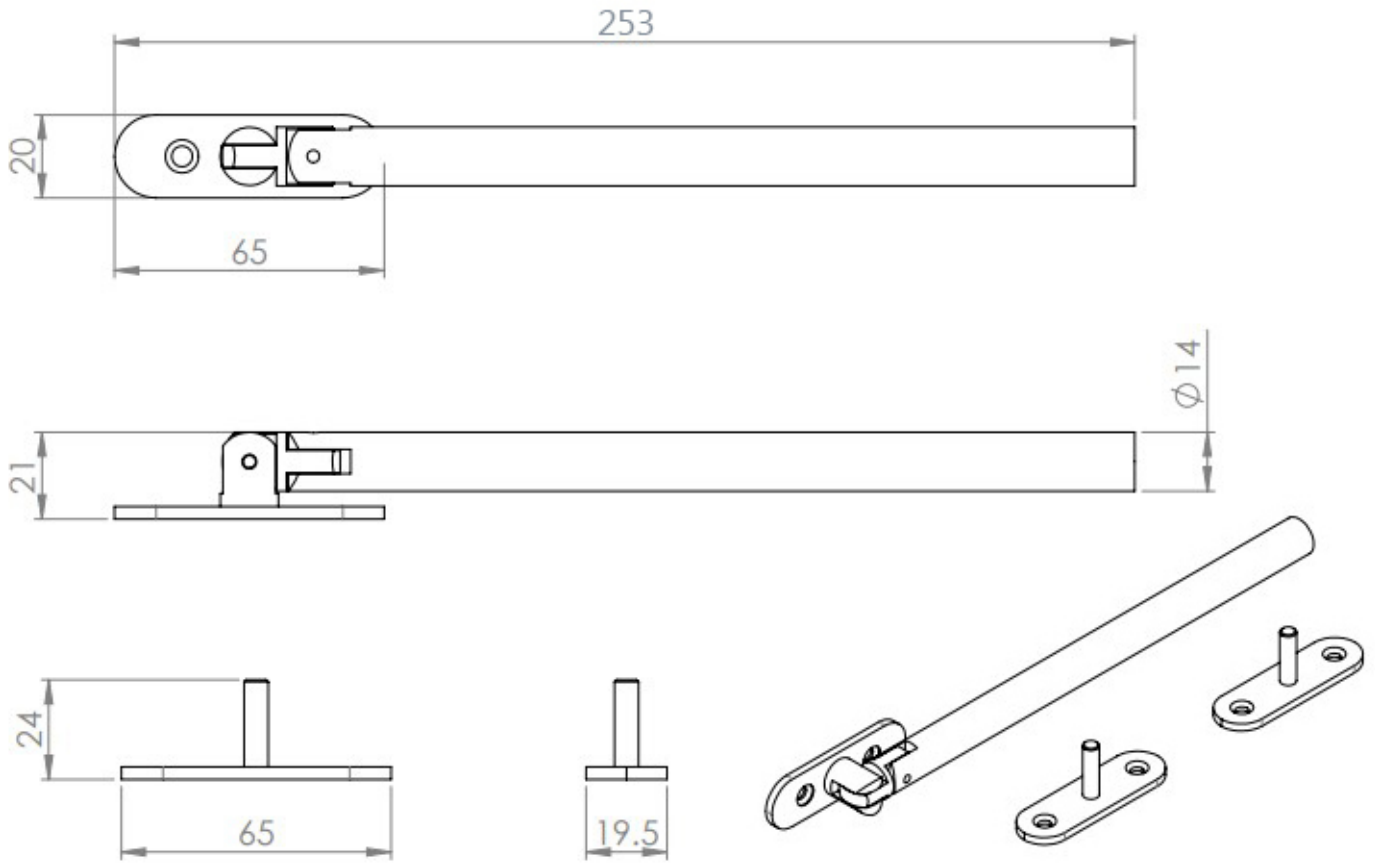
- Stainless steel designer window stay
- High architectural quality
- Contemporary tubular design handle (14mm diameter)
- A casement stay is the handle or "arm" that fixes to the bottom of the window to help push the window open and pull the window closed
- The casement arm sits on pins this makes the window "stay" in position when in the open or closed position
- Pins are concealed under the stay giving a modern sleek look

Finish

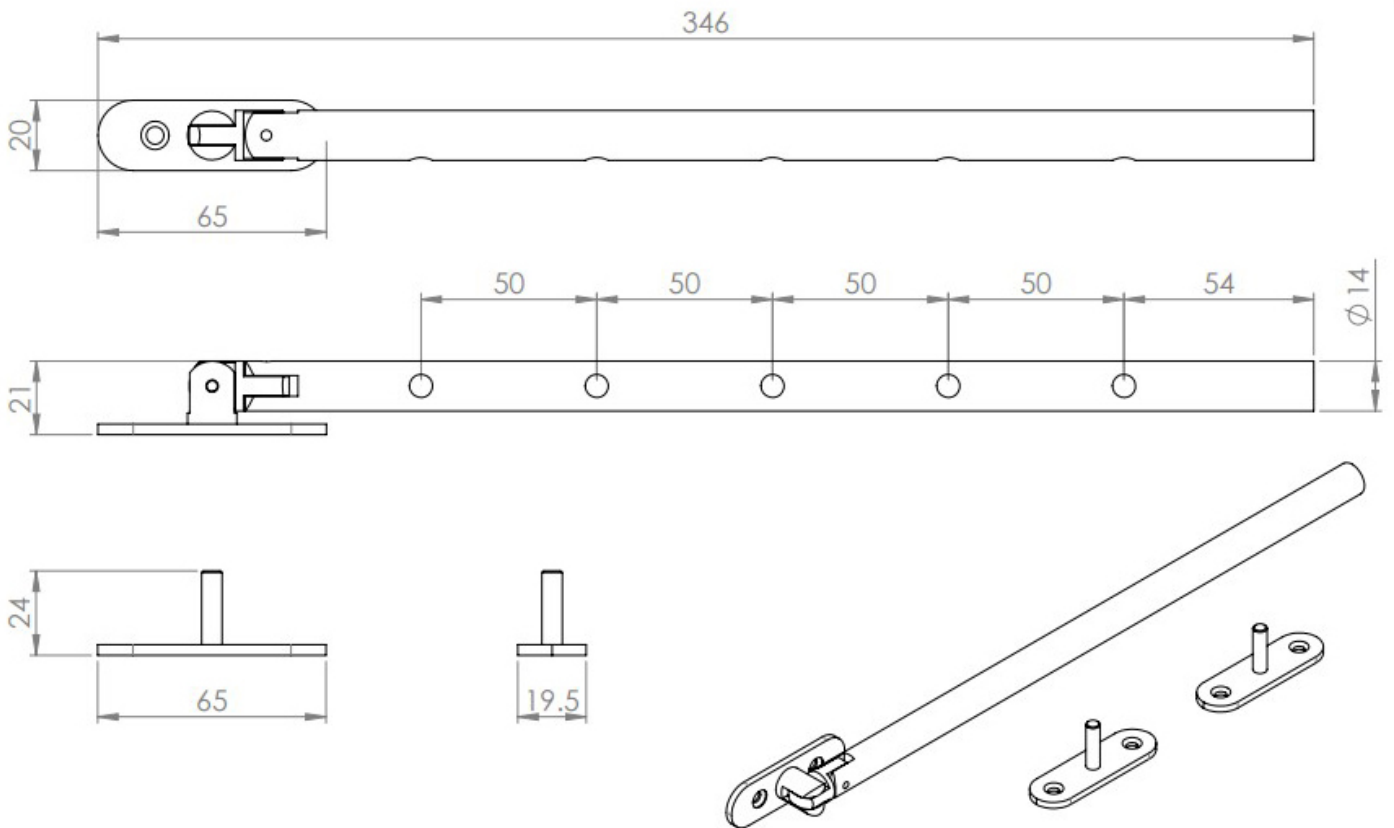
- Satin stainless steel

Dimensions

- 253mm Overall Length



- 346mm Overall Length



Important Info Before You Buy

- Suitable for wooden windows
- Suits standard outward opening casement windows
- The modern design of this window stay means the pins are concealed, hence replacement locking pins can NOT be used

- Comes supplied with fixing screws and two standard pins
- Matching locking window fastener also available

Products in this set



49125.1 - Tubular Design Casement Window Stay - 253mm Overall Length - Grade 316 - Satin Stainless Steel - Each



49125.2 - Tubular Design Casement Window Stay - 346mm Overall Length - Grade 316 - Satin Stainless Steel - Each