

## Circular Turn & Turn Hook Lock For Sliding Pocket Doors - Oil Rubbed Bronze

### Product Images



### Description

- Circular turn & turn hook lock for sliding pocket doors
- Ideal for use in passage ways and interconnecting rooms
- Complete set includes.
  - 1x 70mm Deep sliding door bathroom hook lock
  - 2x Flush fitting thumb-turns
  - 1x Edge pull handle to help pull the sliding door out of the wall cavity (pocket)
- The thumb-turn is fitted to both sides of the sliding door which allows the door to be locked and unlocked

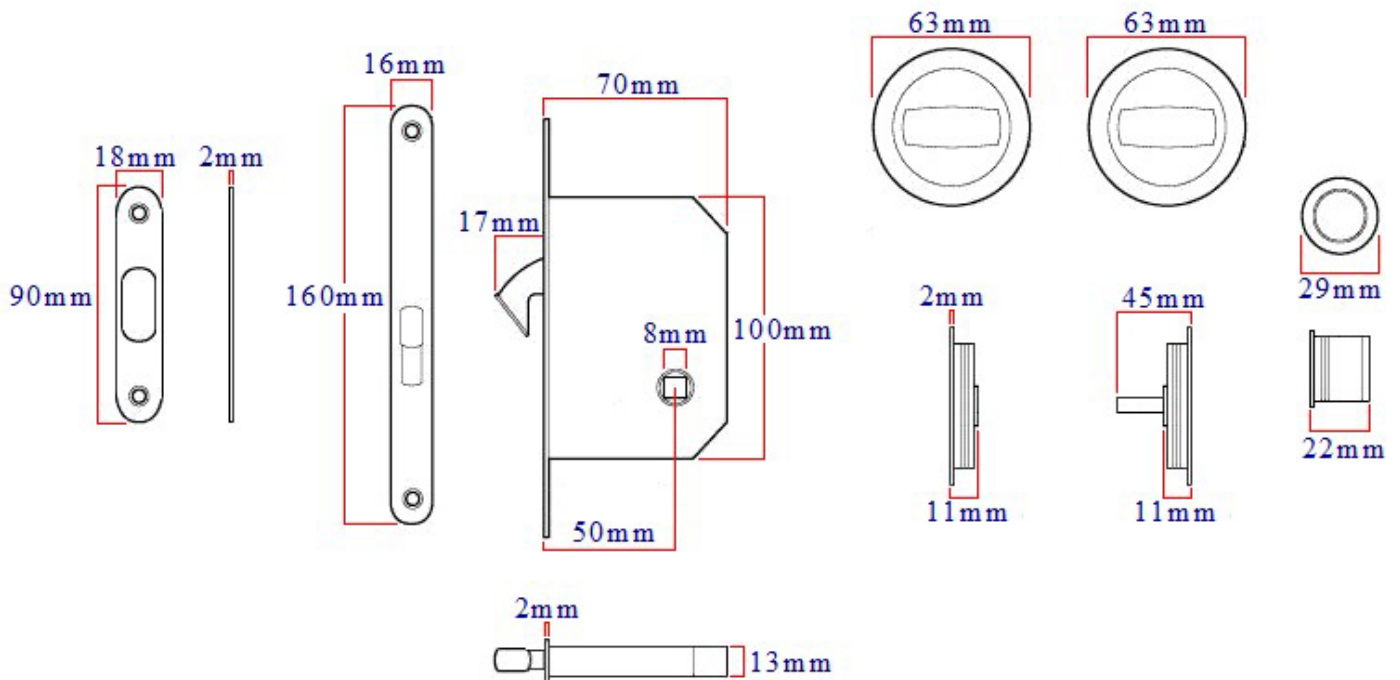
- Suitable for use on doors between 35mm to 45mm thick

#### Finish

- Oil Rubbed Bronze

#### Dimensions

- Lock Case - 70mm deep (50mm backset) mortice hook lock
- Flush Turns - 63mm Diameter x 11mm depth
- Edge Pull - 29mm diameter x 22mm depth
- To Suit Door Thickness - 35mm to 45mm thick



## Unit Of Sale

- Sold per set

#### Products in this set



49131.1 - Circular Turn & Turn Hook Lock For Sliding Pocket Doors - Oil Rubbed Bronze - Set