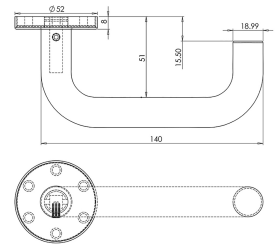


## Orbit Return To Door Safety Design Round Rose Lever Handles - Heavy Duty Grade 4 Collection BS800 / ADM Compliant - Grade 304 - Matt Black

### Product Images



### Description

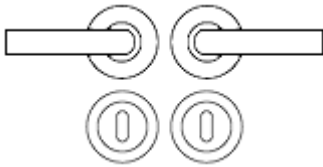
- Return to door safety design round rose lever handles
- Heavy duty commercial range - tested to grade 4
- Grade 304 material
- Suitable for commercial projects and public buildings
- Concealed bolt through fixings via screw on rose
- Tested to **BS EN 1906:2012** - category of use **grade 4**
- Suitable for use on fire rated doors tested to **BS EN 1634**
- Matching accessories available including standard escutcheons (keyhole covers) and a bathroom turn & release set

## How To Order Lever Handles With A Rose

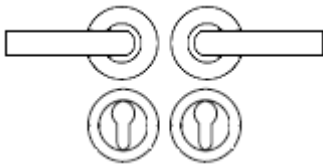
- **For Non-Locking Doors** - 1 x (Pair) Lever Handles Only



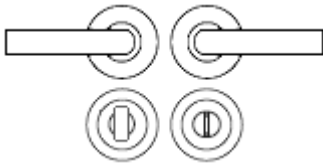
- **For Locking Doors** - 1 x (Pair) Lever Handles Only + 2 x (Each) Standard Escutcheons



- **For Euro Cylinder Locking Doors** - 1 x (Pair) Lever Handles Only + 2 x (Each) Euro Escutcheons



- **For Locking Bathroom Doors** - 1 x Pair Lever Handles Only + 1 x (Set) Turn & Emergency Release



## Matching Accessories

- **Standard escutcheon** - (key hole cover to suit regular "chubb style locks")
- **Euro profile escutcheon** - (key hole cover to suit euro profile cylinders)
- **Turn & emergency release** - (a thumbturn used to lock bathroom doors, WC's and toilet doors)
- **Disabled large turn & emergency release** - (a thumbturn used to lock bathroom doors, WC's and toilet doors)

## Base Material

- Made from grade 304 stainless steel

## Finish

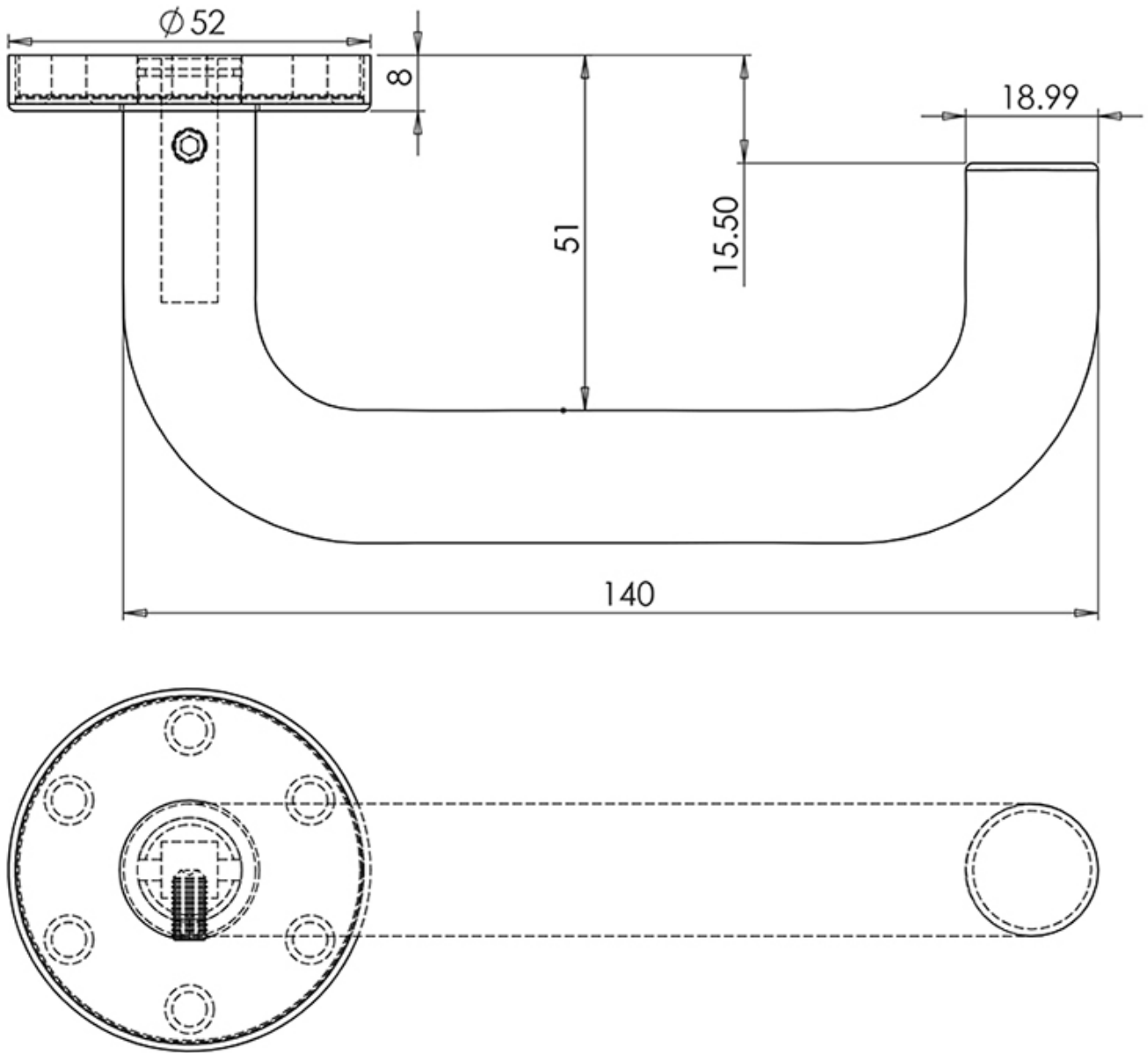
- Matt Black

## Operation

- Both levers are sprung to ensure the lever always returns to its starting position

## Dimensions

- Rose Diameter - 52mm
- Rose Thickness - 8mm
- Lever Diameter - 19mm
- Lever Length - 140mm



## Spindle Size

- 8mm x 8mm square - UK Standard

## Fixings

- Concealed bolt together fixings via male and female bolts
- Grub screw fixing to spindle for extra strength once fitted to the door
- Comes supplied with male and female bolt through fixings and 8mm spindle

## Usage

- Suitable for heavy duty commercial use
- Suitable for internal or external use

## Unit Of Sale

- Lever handles are sold in pairs. (One pair consists of 1x left hand and 1x right hand)



### **49134.1 - Orbit Return To Door Safety Design Round Rose Lever Handles - Heavy Duty Grade 4 Collection BS800 / ADM Compliant - Grade 304 - Matt Black - Pair**



1 x pair of lever handles only

### **49134.2 - Orbit Return To Door Safety Design Round Rose Lever Handles - BS800 / ADM Compliant - Matt Black - Latch And Hinge Pack - To Suit 35mm Thick Non Locking Doors**



Suitable for use on 35mm thick internal doors, items included within this door pack are:

1 x pair of door handles - matt black  
1 x heavy duty tubular latch - 76mm case depth (57mm backset) CE / UKCA Marked - fire rated - matt black  
3 x ball bearing hinges - 76mm x 50mm - matt black  
1 x tubular latch - 76mm case depth (57mm backset)  
3 x hinges - 76mm x 50mm

### **49134.3 - Orbit Return To Door Safety Design Round Rose Lever Handles - BS800 / ADM Compliant - Matt Black - Latch And Hinge Pack - To Suit 44mm Thick Non Locking Doors - FD30 Fire Rated**



Suitable for use on 44mm thick FD30 fire rated internal doors, items included within this door pack are:

1 x pair of door handles - matt black  
1 x heavy duty tubular latch - 76mm case depth (57mm backset) CE / UKCA Marked - fire rated - matt black  
1 x intumescent kit for tubular latch  
3 x fire rated ball bearing hinges - 102mm x 76mm - CE / UKCA Marked - fire rated - matt black  
6 x intumescent hinge pad liners

### **49134.4 - Orbit Return To Door Safety Design Round Rose Lever Handles - BS800 / ADM Compliant - Matt Black - Bathroom Lock & Hinge Pack - To Suit 35mm Thick Doors With Bathroom Turn & Release Locking**



Suitable for use on 35mm thick internal doors, items included within this door pack are:

1 x pair of door handles - matt black  
1 x bathroom turn and release set - matt black  
1 x heavy duty bathroom mortice lock - 76mm case depth (57mm backset) CE / UKCA Marked - fire rated - matt black  
3 x ball bearing hinges - 76mm x 50mm - matt black

### **49134.5 - Orbit Return To Door Safety Design Round Rose Lever Handles - BS800 / ADM Compliant - Matt Black - Bathroom Lock & Hinge Pack - To Suit 44mm Thick Doors With Bathroom Turn & Release Locking**



Suitable for use on 35mm thick internal doors, items included within this door pack are:

1 x pair of door handles - matt black  
1 x bathroom turn and release set - matt black  
1 x heavy duty bathroom mortice lock - 76mm case depth (57mm backset) CE / UKCA Marked - fire rated - matt black  
3 x fire rated ball bearing hinges - 102mm x 76mm - CE / UKCA Marked - fire rated - matt black

### **49134.6 - Orbit Return To Door Safety Design Round Rose Lever Handles - BS800 / ADM Compliant - Matt Black - 3 Lever Lock & Hinge Pack - To Suit 35mm Thick Key Locking Doors**



Suitable for use on 35mm thick internal doors, items included within this door pack are:

1 x pair of door handles - matt black  
2 x standard profile escutcheon key hole covers - matt black  
1 x heavy duty 3 lever mortice sash lock - 76mm case depth CE / UKCA Marked - fire rated - matt black  
3 x ball bearing hinges - 76mm x 50mm - matt black

**49134.7 - Orbit Return To Door Safety Design Round Rose Lever Handles - BS800 / ADM Compliant - Matt Black - 3 Lever Lock & Hinge Pack - To Suit 44mm Thick Key Locking Doors - FD30 Fire Rated**

Suitable for use on 44mm thick FD30 fire rated internal doors, items included within this door pack are:



- 1 x pair of door handles - matt black
- 2 x standard profile escutcheon key hole covers - matt black
- 1 x heavy duty 3 lever mortice sash lock - 76mm case depth CE / UKCA Marked - fire rated - matt black
- 1 x intumescent kit for 3 lever sash lock
- 3 x fire rated ball bearing hinges - 102mm x 76mm - CE / UKCA Marked - fire rated - matt black
- 6 x intumescent hinge pad liners

**49134.8 - Orbit Return To Door Safety Design Round Rose Lever Handles - BS800 / ADM Compliant - Matt Black - Euro Profile Lock & Hinge Pack - To Suit 35mm Thick Key Locking Doors With Internal Thumbturn**

Suitable for use on 35mm thick internal doors, items included within this door pack are:



- 1 x pair of door handles - matt black
- 2 x euro profile escutcheon key hole covers - matt black
- 1 x heavy duty euro profile mortice sash lock case - 76mm case depth (57mm backset) CE / UKCA Marked - fire rated - matt black
- 1 x euro profile cylinder key / turn - 60mm length - matt black
- 3 x ball bearing hinges - 76mm x 50mm - matt black

**49134.9 - Orbit Return To Door Safety Design Round Rose Lever Handles - BS800 / ADM Compliant - Matt Black - Euro Profile Lock & Hinge Pack - To Suit 44mm Thick Key Locking Doors With Internal Thumbturn - FD30 Fire Rated**

Suitable for use on 44mm thick FD30 fire rated internal doors, items included within this door pack are:



- 1 x pair of door handles - matt black
- 2 x euro profile escutcheon key hole covers - matt black
- 1 x heavy duty euro profile mortice sash lock case - 76mm case depth (57mm backset) CE / UKCA Marked - fire rated - matt black
- 1 x intumescent kit for euro profile sash lock
- 1 x euro profile cylinder key / turn - 70mm length - matt black
- 3 x fire rated ball bearing hinges - 102mm x 76mm - CE / UKCA Marked - fire rated - matt black
- 6 x intumescent hinge pad liners