

Accessible Bathroom Turn & Release Set - With Large Turn - Red & White Indicator - Heavy Duty Grade 4 Collection BS800 / ADM Compliant - Grade 304 - Matt Black

Product Images



Description

- Accessible bathroom turn & release set
- Large turn meets the dimensional requirements of BS8300 and Approved Doc M (ADM)
- Designed for use on disabled toilets, WC's and bathrooms
- Red & white visual indicator
- From the commercial grade 4 collection, designed for use in commercial and public buildings
- Screw on rose

Base Material

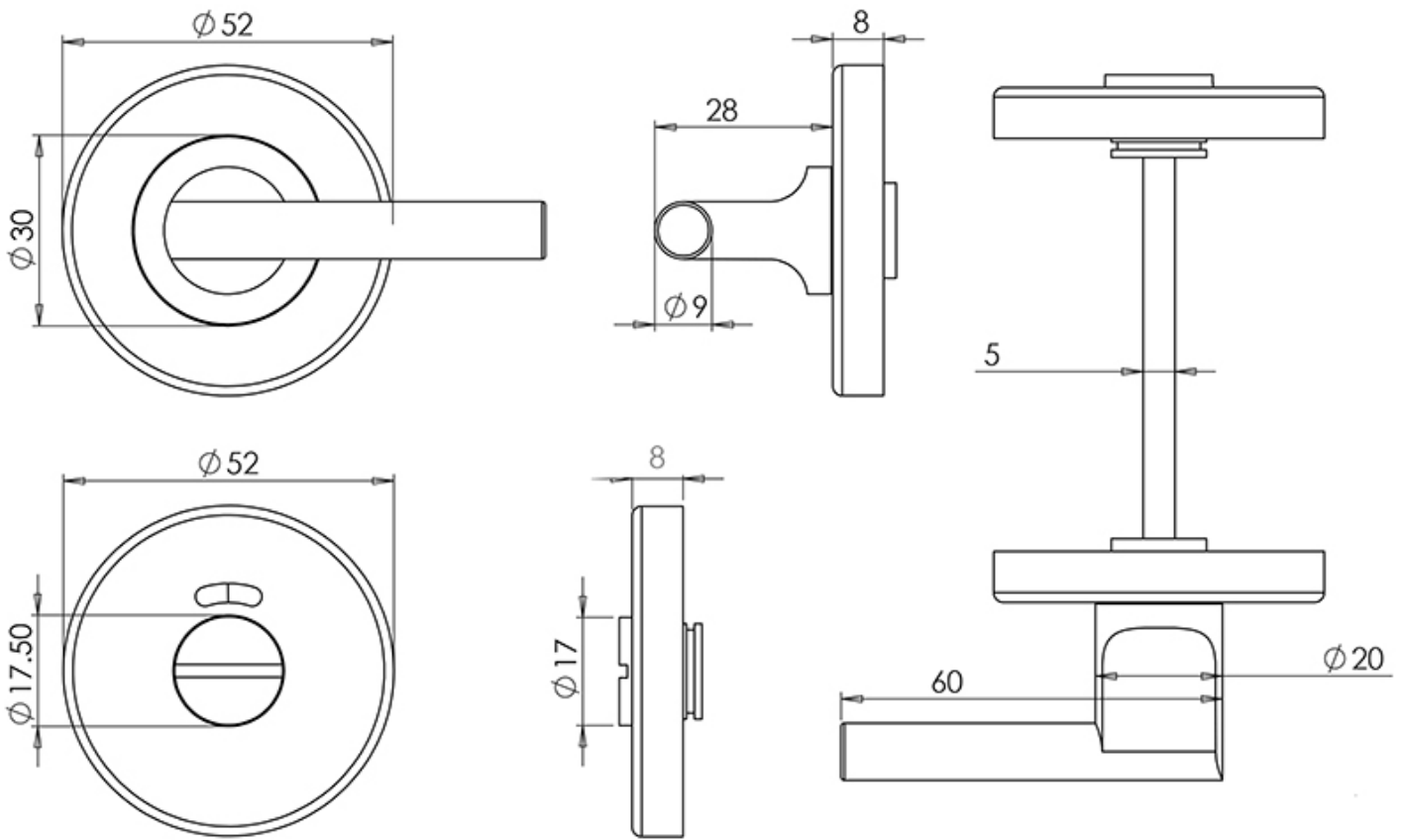
- Made from grade 304 stainless steel

Finish

- Matt Black

Dimensions

- 52mm x 8mm
- Supplied with 5mm spindle



Spindle Size

- 5mm x 5mm square - UK Standard

Fixings

- Concealed bolt together fixings via male and female bolts
- Comes supplied with male and female bolt through fixings and 5mm spindle

Usage

- Suitable for heavy duty commercial use
- Suitable for internal

Unit Of Sale

- Sold per set - (turn & release section)

Products in this set



49138.1 - Accessible Bathroom Turn & Release Set - With Large Turn - Red & White Indicator - Heavy Duty Grade 4 Collection BS800 / ADM Compliant - Grade 304 - Matt Black - Set