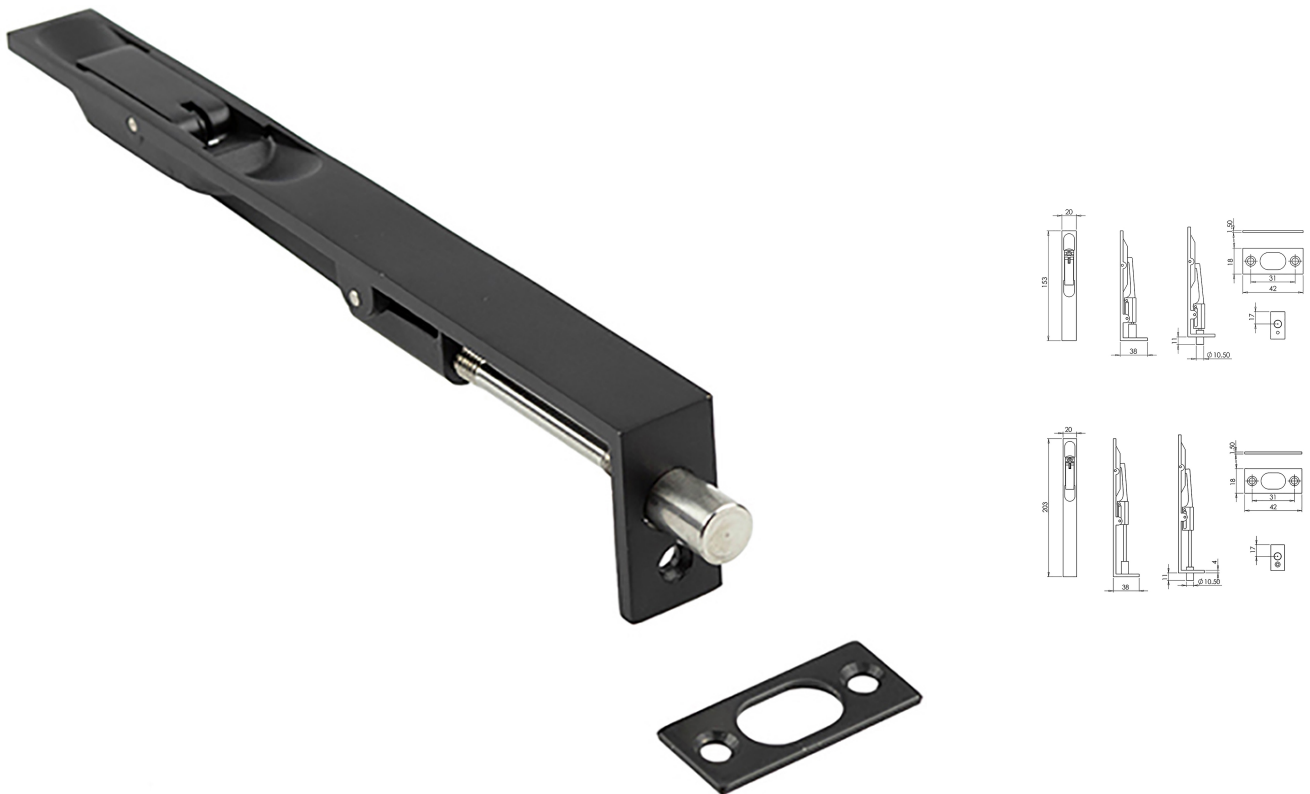


## Lever Action Flush Bolt - Two Sizes Available - Suitable For Use With FD30 / FD60 Doors - Matt Black

### Product Images



### Description

- Lever action flush
- Designed to be fitted into the leading edge of the slave door
- Suitable for use on FD30 / FD60 fire rated doors, when used in conjunction with the **(41667)** intumescent kit

### Base Material

- Made from grade 304 stainless steel

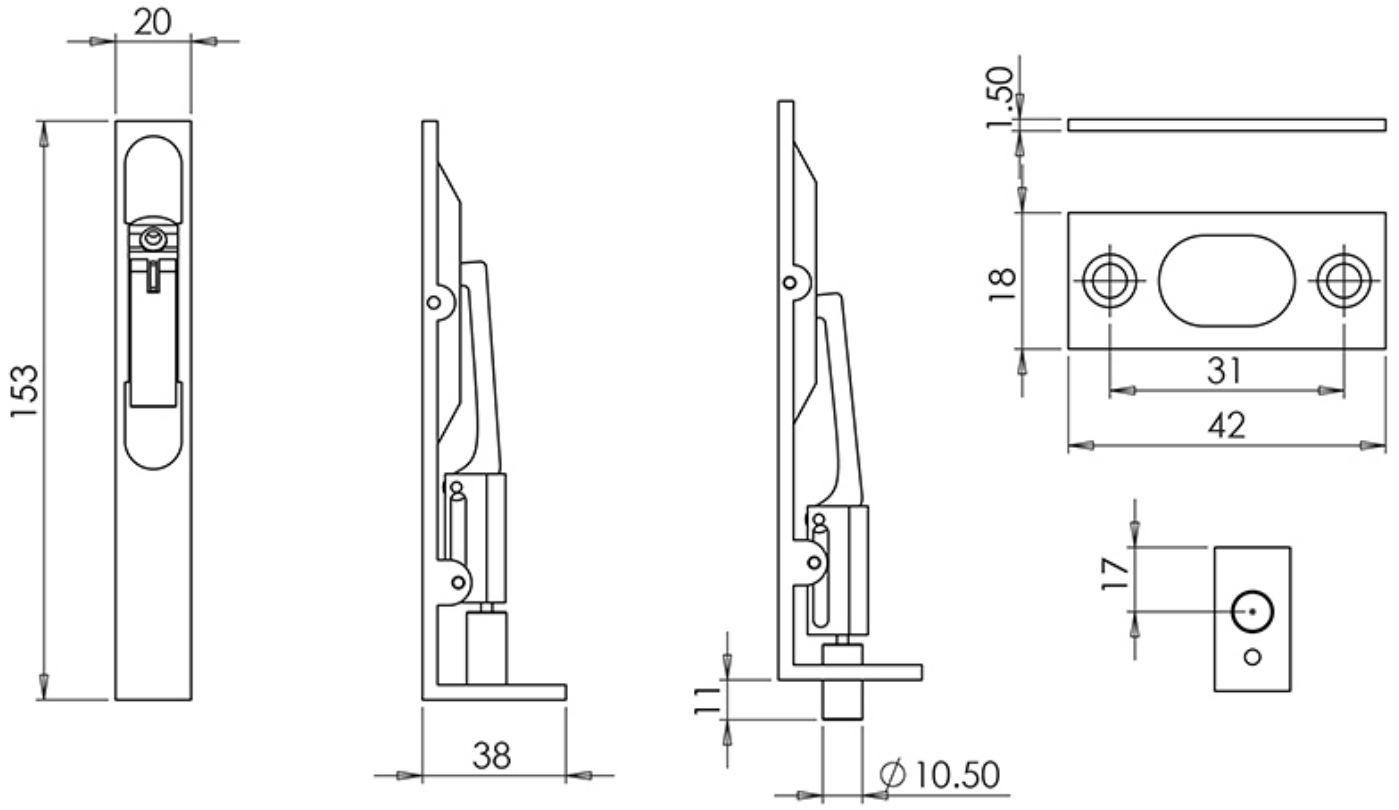
### Finish

- Matt Black

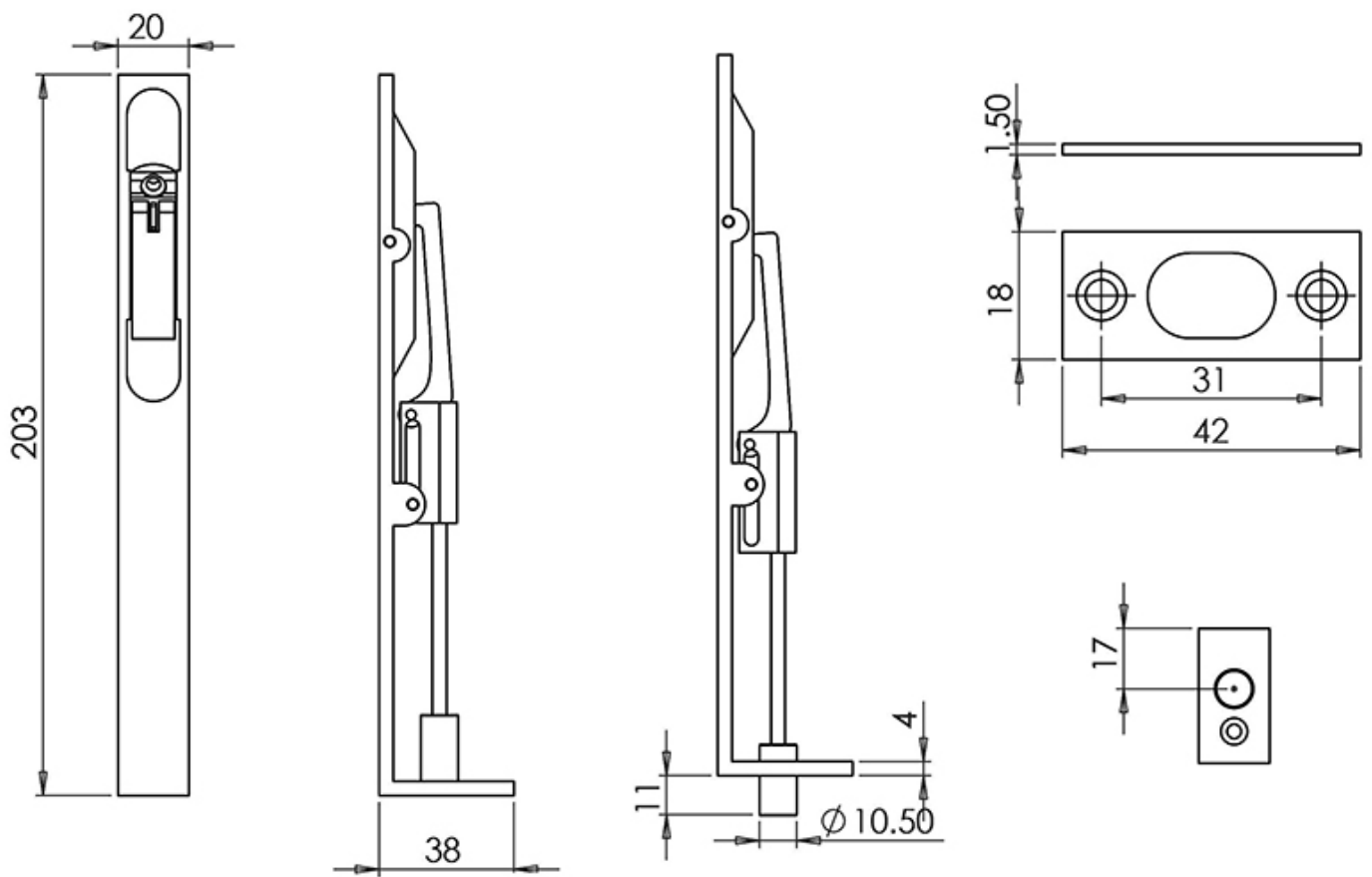
### Dimensions

- **Two Sizes Available**

- 150mm x 20mm



- 200mm x 20mm



#### Important Info Before You Buy

- Suitable for wooden doors
- This flush bolt is sold individually - each

## Products in this set

---



**49148.1 - Lever Action Flush Bolt - Tested For Use With FD30 / FD60 Fire Doors - 150mm x 20mm - Matt Black - Each**



**49148.2 - Lever Action Flush Bolt - Tested For Use With FD30 / FD60 Fire Doors - 200mm x 20mm - Matt Black - Each**