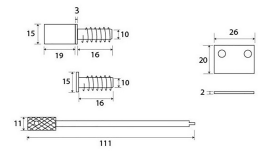


19mm Sash Stops - Sliding Sash Windows Locks - Pack Of 4 - Antique Pewter

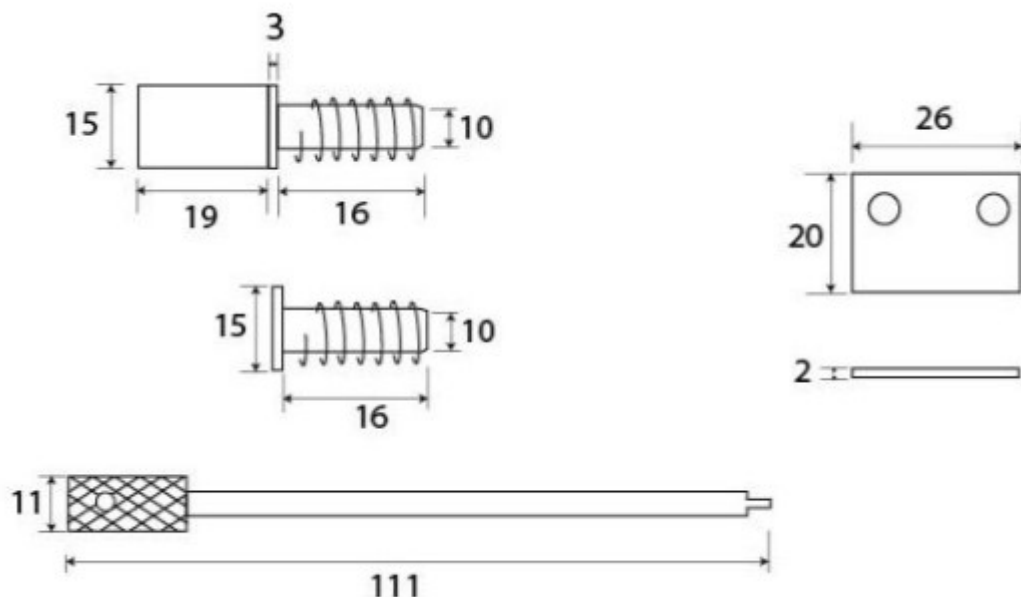
Product Images



Description

- Sliding sash window stop locks
- Pack of four stops supplied with four inserts
- Ideal for meeting insurance requirements for locking sliding sash windows
- Four inserts provided per stop allows the sash window to be locked in the closed or in the open position
- The threaded stops are screwed into inserts located in the top sash by use of key, this prevents ("stops") the sashes passing each other, hence the window is locked and can not be opened
- The sash stops can only be locked and unlocked via the use key supplied in the pack of four

Size Details



- Insert Diameter: 10mm
- Stop Projection: 19mm
- Strike Plate: 26mm x 20mm x 2mm

Finish Details

- Antique Pewter

Fixings

- Can be fitted to the frame/box and prevents the sash being opened beyond that point

Usage

- Suitable for use with wooden sliding sash windows
- The inserts are fitted into the side rail of the top sash

Unit Of Sale

- Sold per pack of four - (A pair includes 4 x sash stops - 4 x inserts - 1 x key)

Products in this set



49156.1 - 19mm Sash Stops - Sliding Sash Windows Locks - Pack Of 4 With Key - Antique Pewter - Set