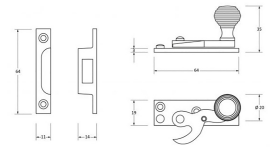


Beehive Hook Pattern Sash Fastener - Polished Nickel

Product Images



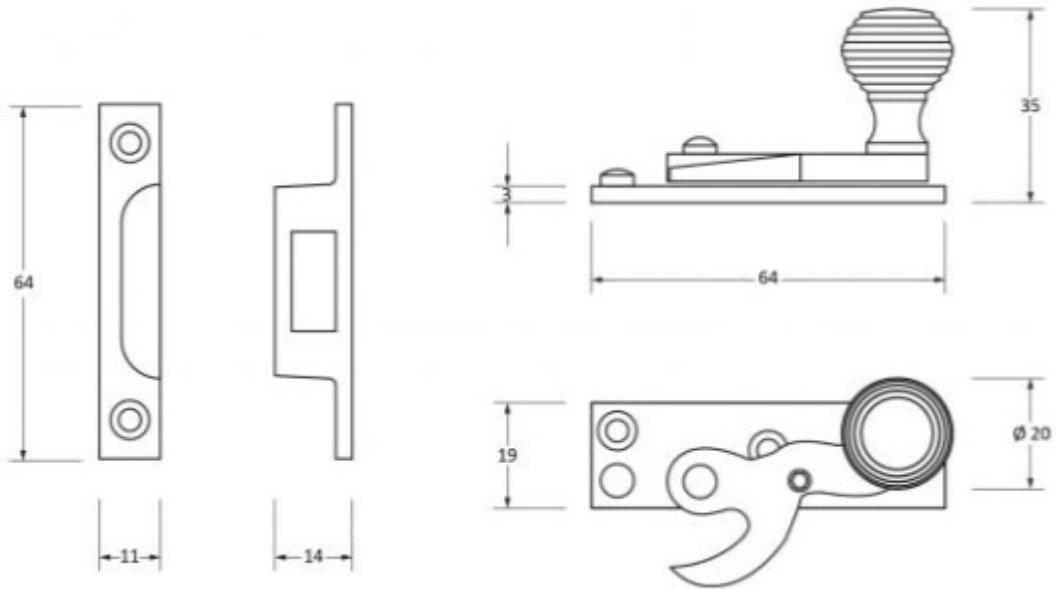
Description

- Locking hook fastener for sliding sash windows
- Lockable via alun key and grub screw - when the grub screw is protruding from the back plate, the arm can not be twisted open
- When the fastener is in the closed position (when the arm is engaged in the receiver plate by twisting it through 180 degrees) the sliding sash window can not be opened
- Ideal for use on a narrow top rail due to a thin fixing of the keep.

Finish

- Polished Nickel

Dimensions



- Fixing plate: 64mm x 19mm
- Keep Plate: 64mm x 11mm
- Projection: 35mm

Important Info Before You Buy

- Suitable for wooden sliding sash windows
- Comes supplied with fixing screws, allen key and grub screw
- Sold individually

Products in this set



49169.1 - Beehive Hook Pattern Sash Fastener - 64mm x 19mm - Polished Nickel - Each