

## Traditional Pattern Straight Design Universal Door Bolt - External Beeswax

### Product Images



### Description

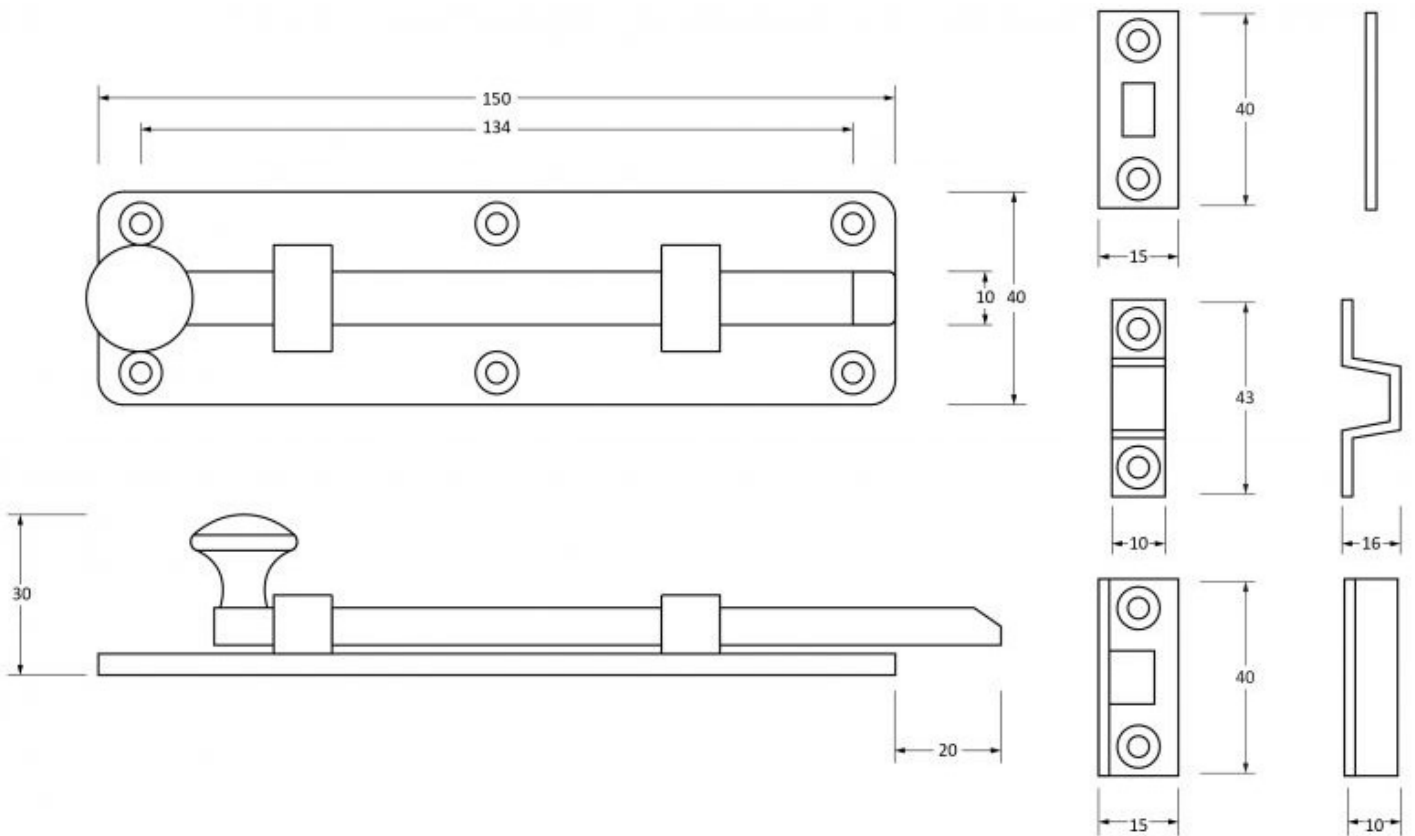
- Traditional pattern straight design universal door bolt
- A multi purpose bolt which can be used on windows or doors and in other applications due to a variety of keeps supplied with the product
- Can be used horizontally & vertically due to the strong spring mechanism incorporated into the bolts
- Designed for use on French windows (patio doors), front doors, back doors and cupboards
- Suitable for inward or outward opening door (supplied with 3 x fixing plates)

### Finish

- External Beeswax

### Dimensions

- 156mm x 47mm (6")



• **3 Styles of receivers**

- Receiver Plate: 37mm x 15mm x 2mm
- Receiver Bridge: 37mm x 10mm x 3mm (Height:12mm)
- Angled Keep: 37mm x 15mm x 2mm (Depth:10mm)
- Throw: 15mm

**Important Info Before You Buy**

- Sold individually
- Supplied with matching wood screws

**Products in this set**



49180.1 - Traditional Pattern Straight Design Universal Door Bolt - 100mm x 25mm (4") - External Beeswax - Each