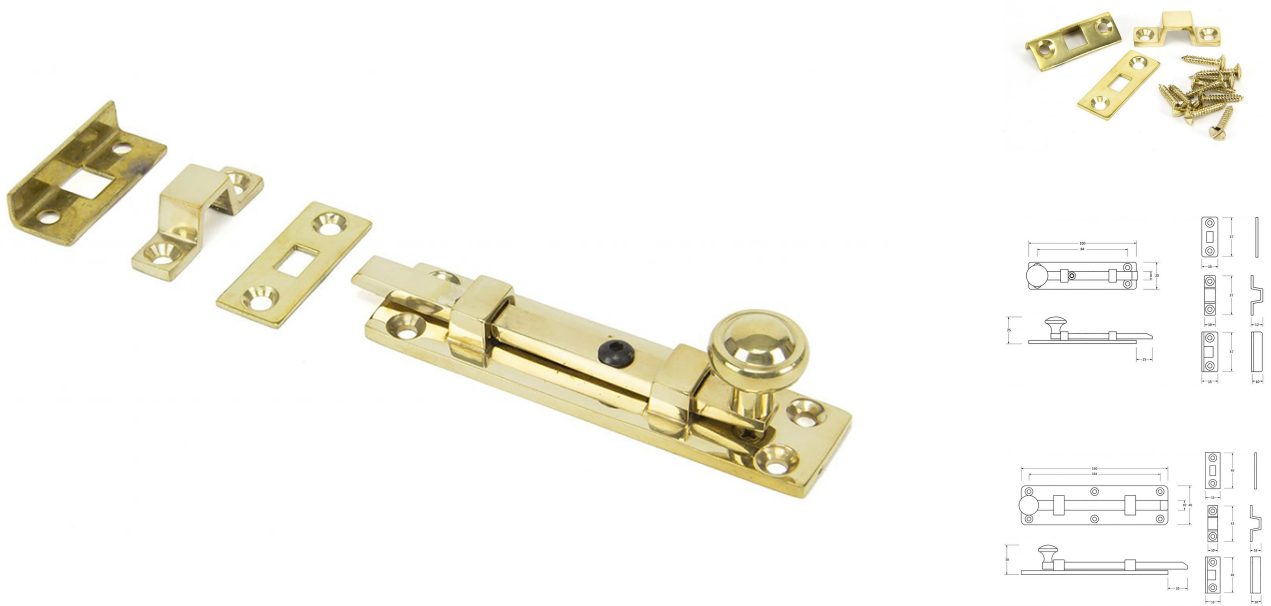


Traditional Pattern Straight Design Universal Door Bolt - Two Sizes Available - Polished Brass Unlacquered

Product Images



Description

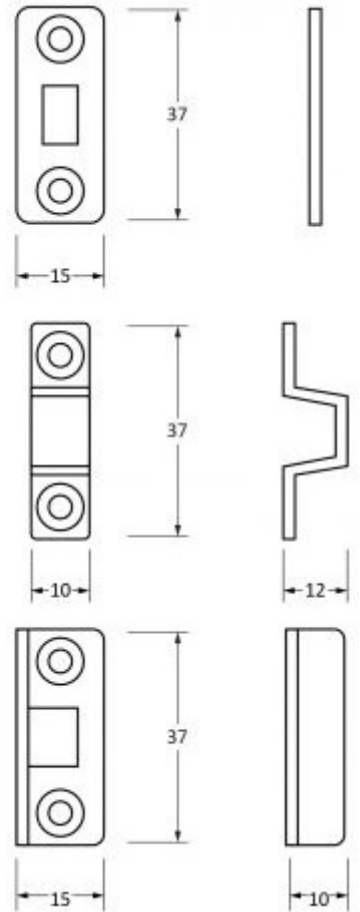
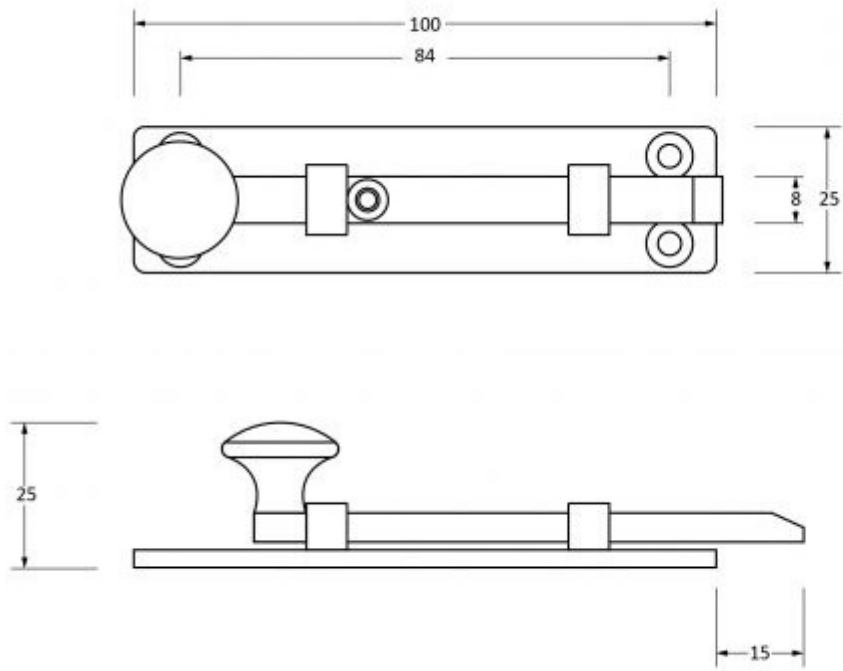
- Traditional pattern straight design universal door bolt
- A multi purpose bolt which can be used on windows or doors and in other applications due to a variety of keeps supplied with the product
- Can be used horizontally & vertically due to the strong spring mechanism incorporated into the bolts
- Designed for use on French windows (patio doors), front doors, back doors and cupboards
- Suitable for inward or outward opening door (supplied with 3 x fixing plates)

Finish

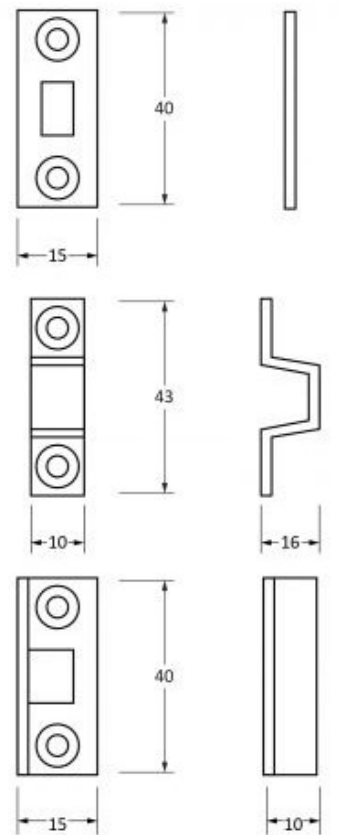
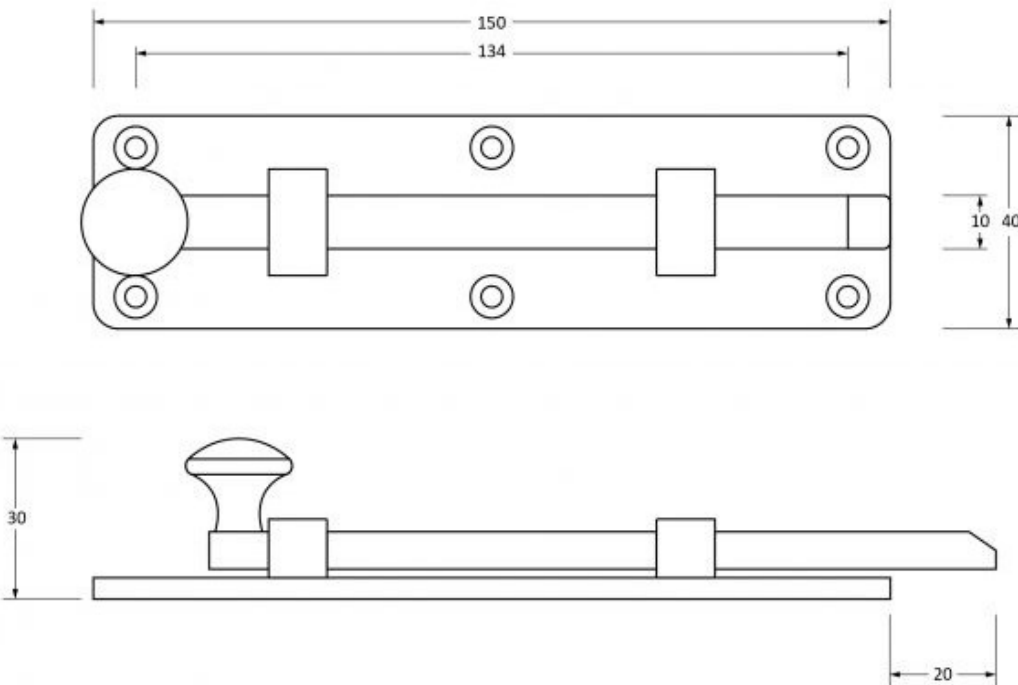
- Polished Brass Unlacquered

Dimensions

- **Two sizes available**
- 100mm x 25mm (4")



- 156mm x 47mm (6")



- **3 Styles of receivers**
- Receiver Plate: 37mm x 15mm x 2mm
- Receiver Bridge: 37mm x 10mm x 3mm (Height:12mm)
- Angled Keep: 37mm x 15mm x 2mm (Depth:10mm)
- Throw: 15mm

Important Info Before You Buy

- Sold individually
- Supplied with matching wood screws

Products in this set



49181.1 - Traditional Pattern Straight Design Universal Door Bolt - 100mm x 25mm (4") - Polished Brass Unlacquered - Each



49181.2 - Traditional Pattern Straight Design Universal Door Bolt - 150mm x 40mm (6") - Polished Brass Unlacquered - Each