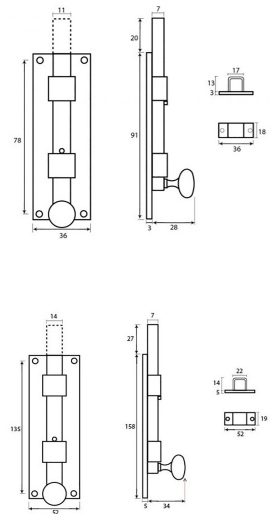
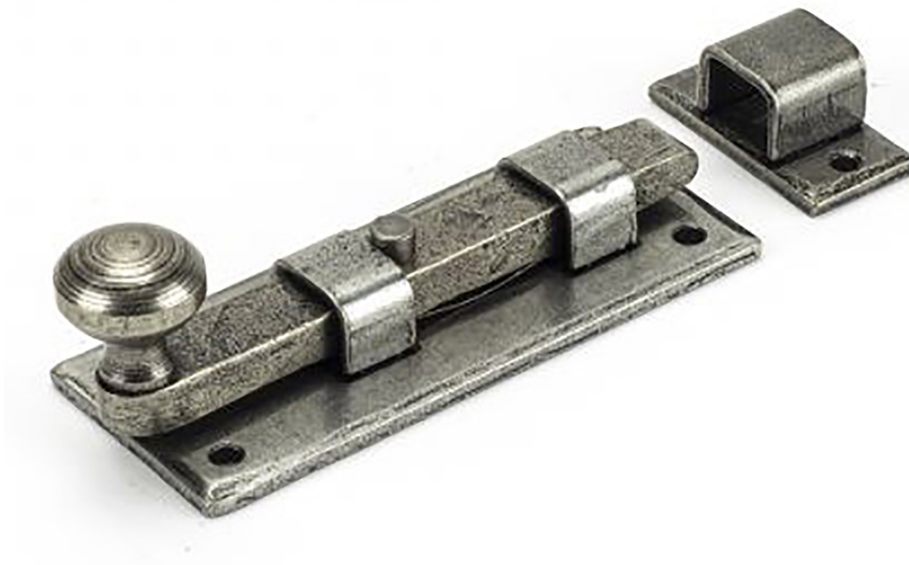


Traditional Pattern Straight Design Door Bolt - Two Sizes Available - Pewter

Product Images



Description

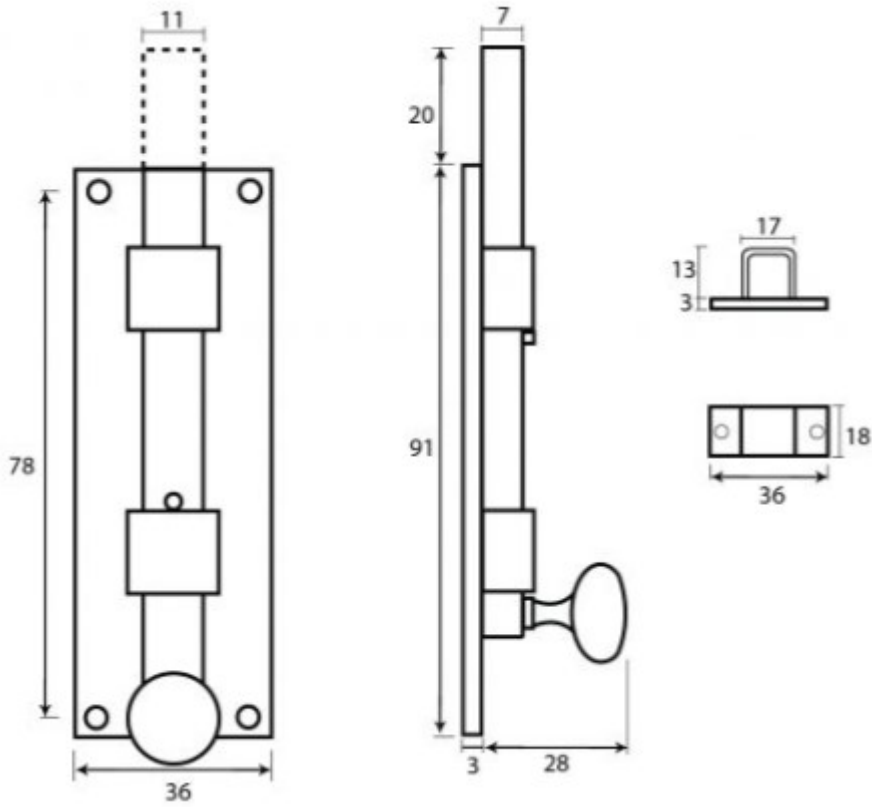
- Traditional pattern straight design door bolt
- Can be used horizontally & vertically due to the strong spring mechanism incorporated into the bolts
- Designed for use on French windows (patio doors), front doors, back doors and cupboards

Finish

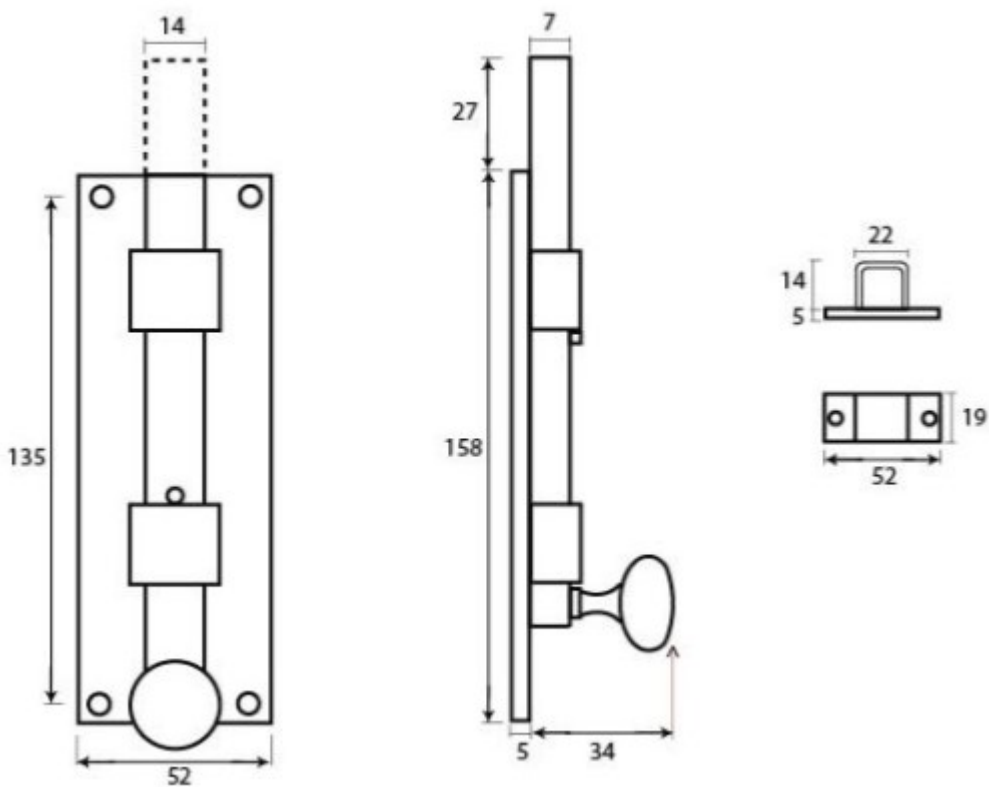
- Pewter

Dimensions

- **Two sizes available**
- Fixing Plate: 91mm x 36mm x 3mm
- Receiver Bridge: 36mm x 18mm x 3mm
- Throw: 20mm
- Receiver Bridge Height: 16mm



- Fixing Plate: 158mm x 52mm x 5mm
- Receiver Bridge: 52mm x 19mm x 5mm
- Throw: 33mm
- Receiver Bridge Height: 19mm



Important Info Before You Buy

- Sold individually
- Supplied with matching wood screws

Products in this set



49187.1 - Traditional Pattern Straight Design Door Bolt - 91mm x 36mm - Pewter - Each



49187.2 - Traditional Pattern Straight Design Door Bolt - 158mm x 52mm - Pewter - Each