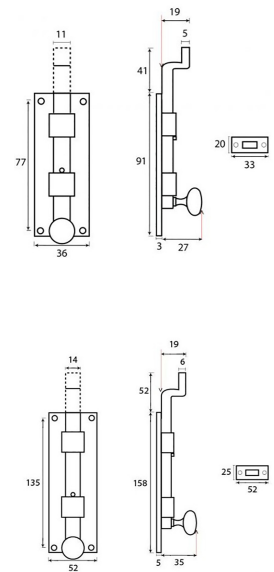


Traditional Pattern Cranked Design Door Bolt - Two Sizes Available - Black

Product Images



Description

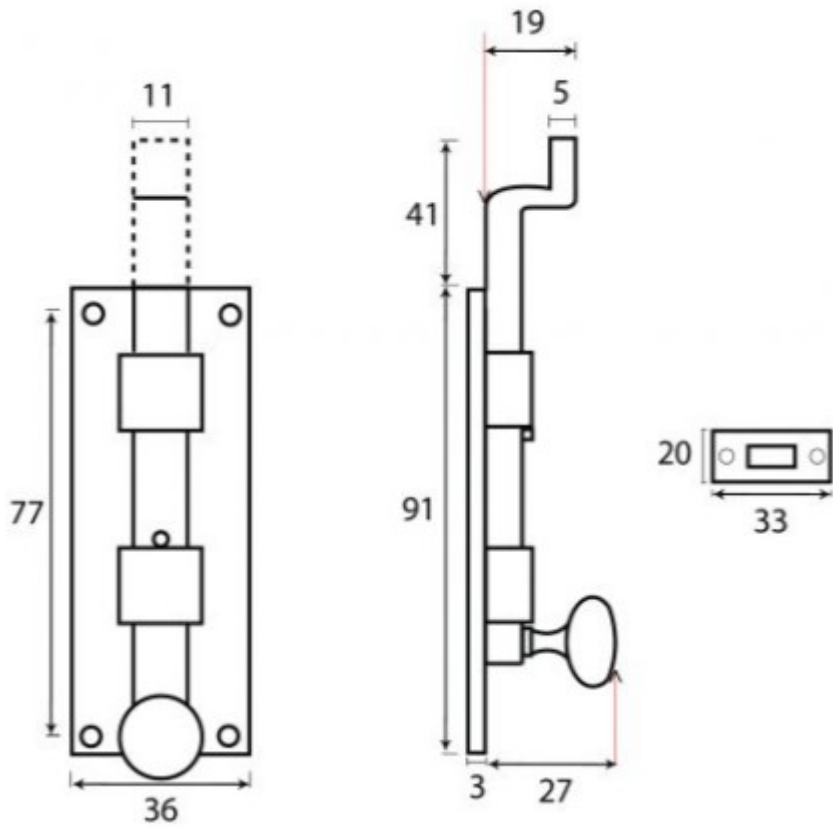
- Traditional pattern cranked design door bolt
- Can be used horizontally & vertically due to the strong spring mechanism incorporated into the bolts
- Designed for use on French windows (patio doors) or outward opening front doors, back doors and cupboards

Finish

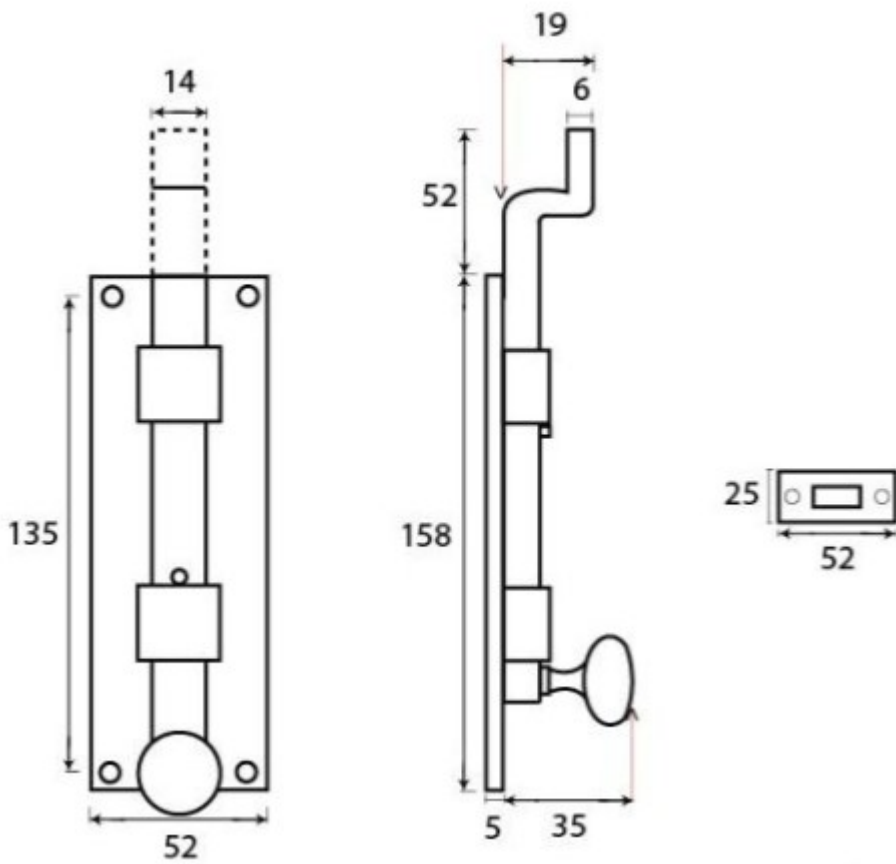
- Black

Dimensions

- **Two sizes available**
- Fixing Plate: 91mm x 36mm x 3mm
- Receiver Plate: 33mm x 20mm x 2mm
- Throw: 41mm
- Crank Projection: 19mm



- Fixing Plate: 158mm x 52mm x 5mm
- Receiver Plate: 52mm x 25mm x 3mm
- Throw: 65mm
- Crank Projection: 19mm



Important Info Before You Buy

- Sold individually
- Supplied with matching wood screws

Products in this set



49188.1 - Traditional Pattern Cranked Design Door Bolt - 91mm x 36mm - Black - Each



49188.2 - Traditional Pattern Cranked Design Door Bolt - 158mm x 52mm - Black - Each