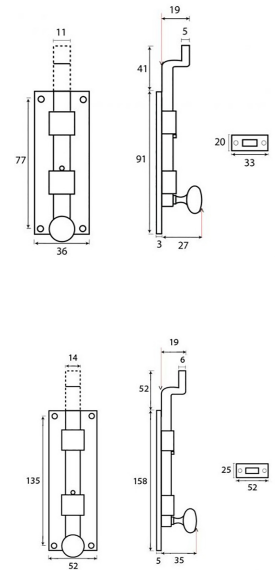


## Traditional Pattern Cranked Design Door Bolt - Two Sizes Available - Beeswax

### Product Images



### Description

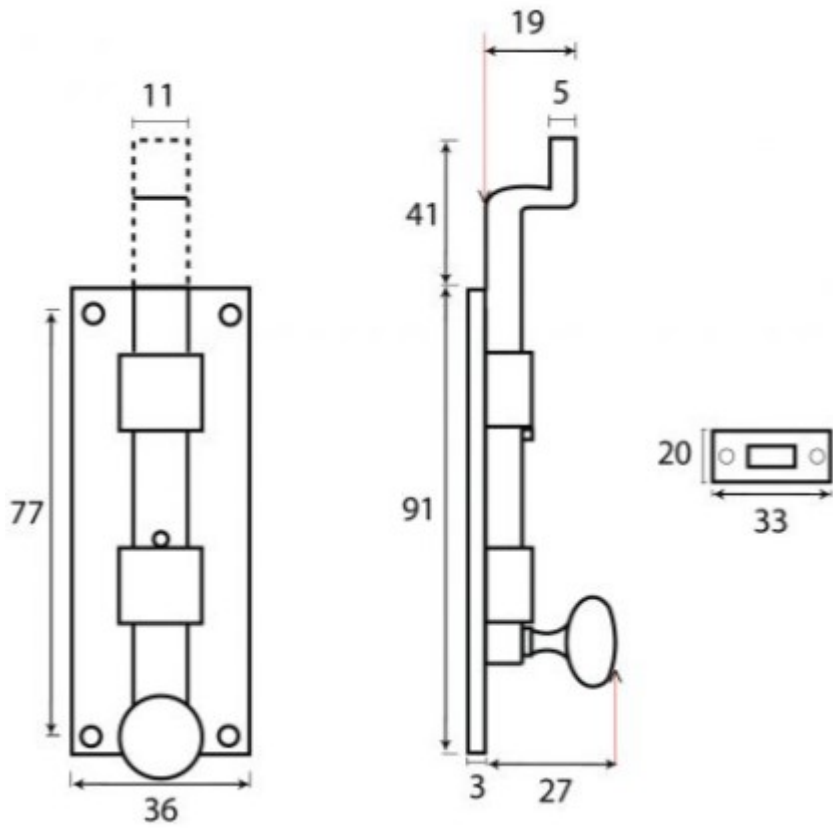
- Traditional pattern cranked design door bolt
- Can be used horizontally & vertically due to the strong spring mechanism incorporated into the bolts
- Designed for use on French windows (patio doors) or outward opening front doors, back doors and cupboards

### Finish

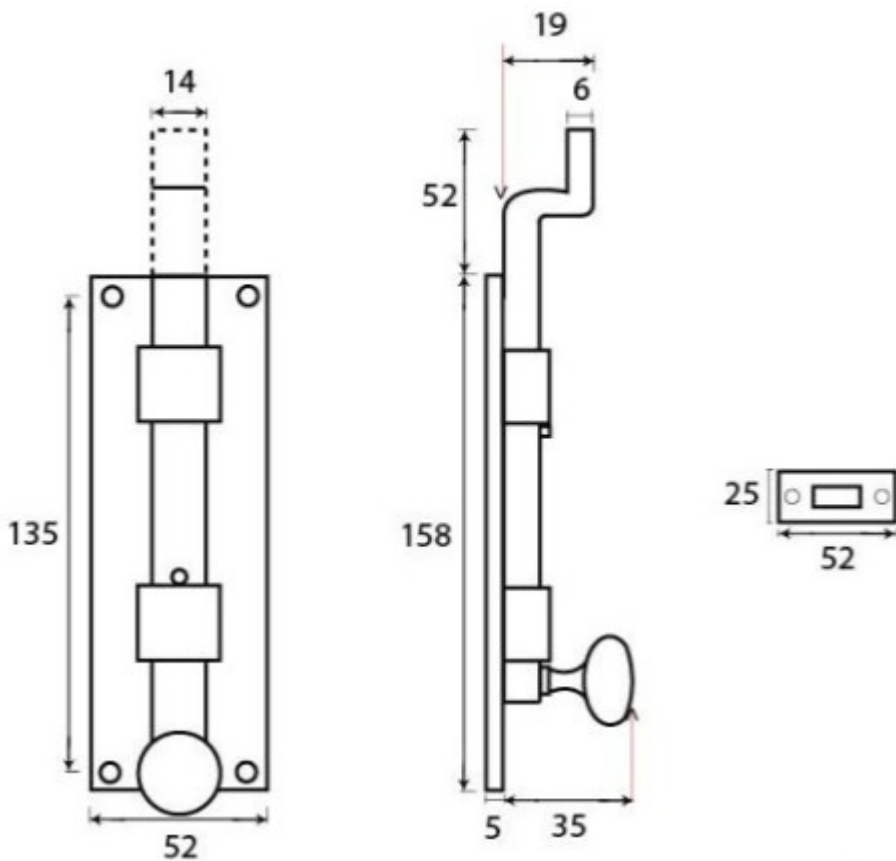
- Beeswax

### Dimensions

- **Two sizes available**
- Fixing Plate: 91mm x 36mm x 3mm
- Receiver Plate: 33mm x 20mm x 2mm
- Throw: 41mm
- Crank Projection: 19mm



- Fixing Plate: 158mm x 52mm x 5mm
- Receiver Plate: 52mm x 25mm x 3mm
- Throw: 65mm
- Crank Projection: 19mm



**Important Info Before You Buy**

- Sold individually
- Supplied with matching wood screws

## Products in this set

---



49189.1 - Traditional Pattern Cranked Design Door Bolt - 91mm x 36mm - Beeswax - Each



49189.2 - Traditional Pattern Cranked Design Door Bolt - 158mm x 52mm - Beeswax - Each