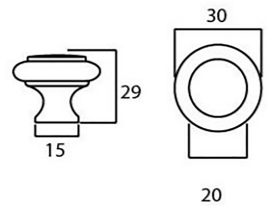
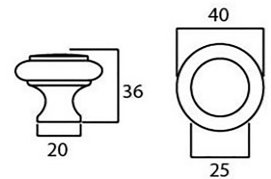


Regency Design Cupboard Door Knob - Two Sizes Available - Pewter

Product Images

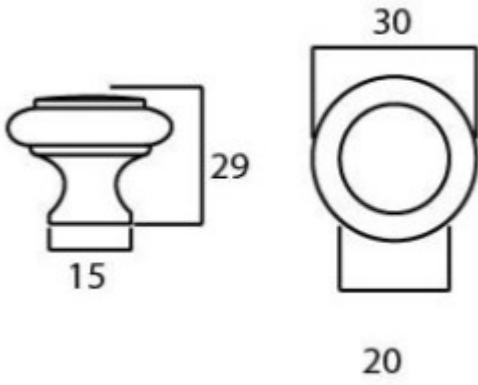


Description

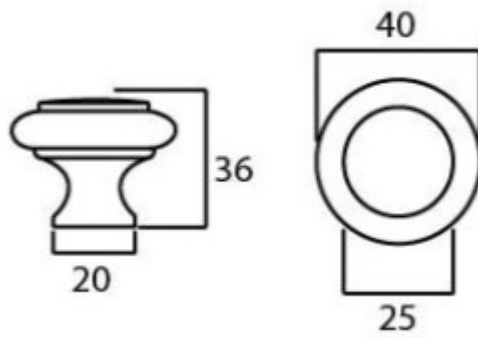
- Regency Design cupboard door Knob
- The unique effect is achieved by individually hammering each product by hand
- High architectural quality range

Size Details

- Available in 2 sizes



- Overall Size: 30mm Diameter
- Base Size: 15mm Diameter
- Projection: 29mm



- Overall Size: 40mm Diameter
- Base Size: 20mm Diameter
- Projection: 36mm

Base Material

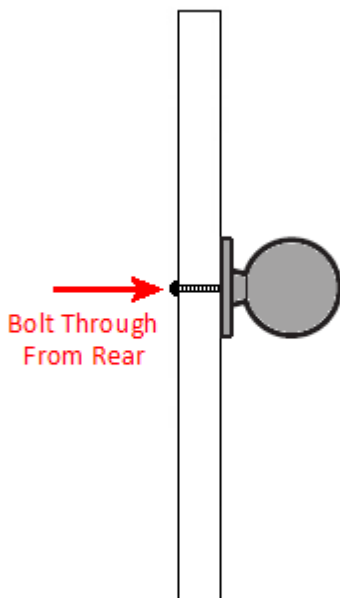
- Steel

Finish Details

- Pewter

Fixings

- This cupboard knob is fitted via a M4 bolt from the rear of the door / drawer - see below diagram



- Bolt through fixings provide a superior strong fixing allowing this knob to be fitted to tall or heavy doors
- Comes supplied with a 25mm long bolt - suitable for use on 18mm thick doors
- For doors thicker than 18mm, longer M4 fixing bolts are available to buy separately (See related products below)

Alternative Fixings

- For fixing two cupboard Knob back to back on either side of a door, a length of M4 stud is required to screw the two Knob together
- For face fixing a cupboard knob by screwing it directly into the front of a wooden door or drawer, a dual M4 / Wood screw is required

Usage

- Suitable for internal use
- For doors thicker than 18mm please purchase longer M4 fixing bolts (See related products below)

Unit Of Sale

- These cupboard Knob are sold individually - Each

Products in this set



49209.1 - Regency Design Cupboard Door Knob - 30mm Diameter - Pewter - Each



49209.2 - Regency Design Cupboard Door Knob - 40mm Diameter - Pewter - Each