
Rear Fixing Finger Edge Pull - With Rounded Edge Design - Available In 3 Sizes - Matt Bronze (Lacquered)

Product Images

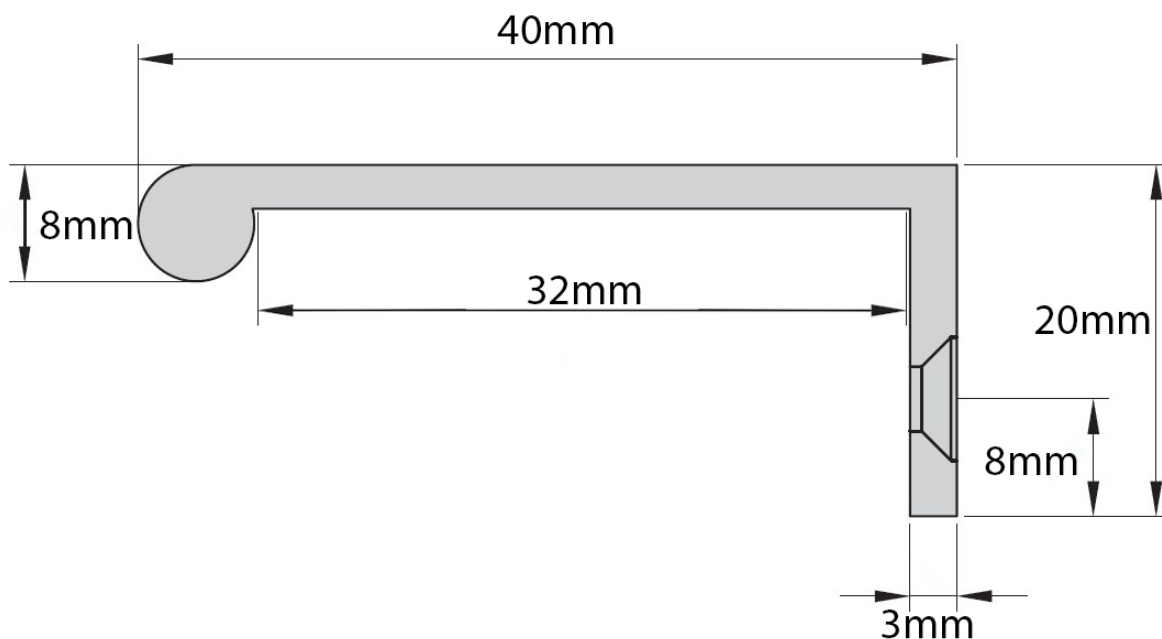


Description

- Rear fixing edge pull handle
- Rounded edge design

- Sleek, minimal design ideal for those looking for a small discreet handle to open a drawer or door with
- Available In 3 Sizes up to 200mm wide
- Rear fix design via matching wood screws
- Suitable for use on kitchen cabinet doors, wardrobes, cupboard doors and drawers

Size Details



| Item Code | Overall Width | Rear Return | Projection | Edge Diameter | Thickness | Screw Backset | Number Of Fixing Holes |
|-----------|---------------|-------------|------------|---------------|-----------|---------------|------------------------|
| 49262.1 | 50mm | 20mm | 40mm | 8mm | 3mm | 8mm | 2 |
| 49262.2 | 100mm | 20mm | 40mm | 8mm | 3mm | 8mm | 3 |
| 49262.3 | 200mm | 20mm | 40mm | 8mm | 3mm | 8mm | 4 |

Base Material

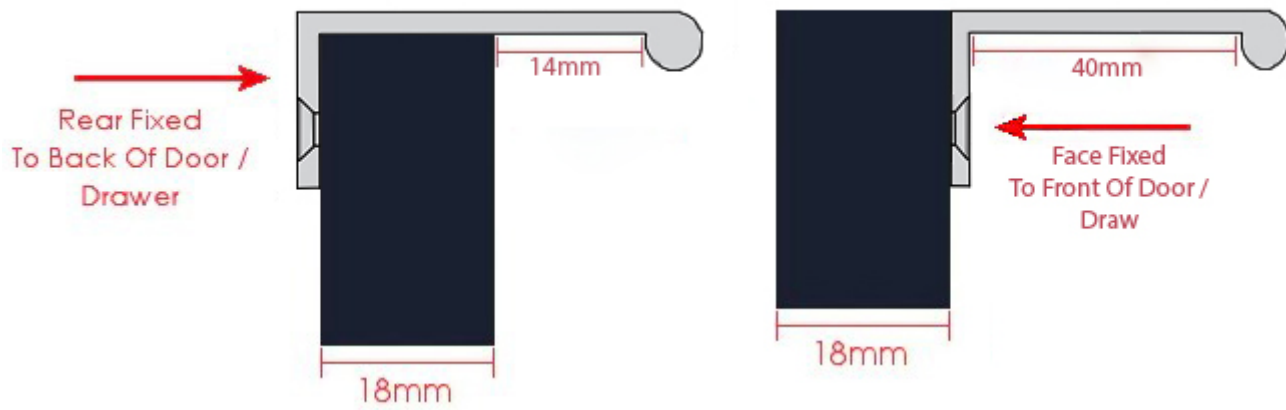
- Made from solid brass

Finish Details

- Matt Bronze

Fixings

- The edge pull is fitted via countersunk wood screws from the Rear of the handle - see below diagram
- Screw holes are double countersunk



- Supplied with matching countersunk slotted wood screws

Usage

- Suitable for internal or external use

Unit Of Sale

- Edge pull handles are sold individually - each

Products in this set



49262.1 - Rear Fixing Finger Edge Pull - With Rounded Edge Design - 50mm x 40mm - Matt Bronze (Lacquered) - Each



49262.2 - Rear Fixing Finger Edge Pull - With Rounded Edge Design - 100mm x 40mm - Matt Bronze (Lacquered) - Each



49262.3 - Rear Fixing Finger Edge Pull - With Rounded Edge Design - 200mm x 40mm - Matt Bronze (Lacquered) - Each