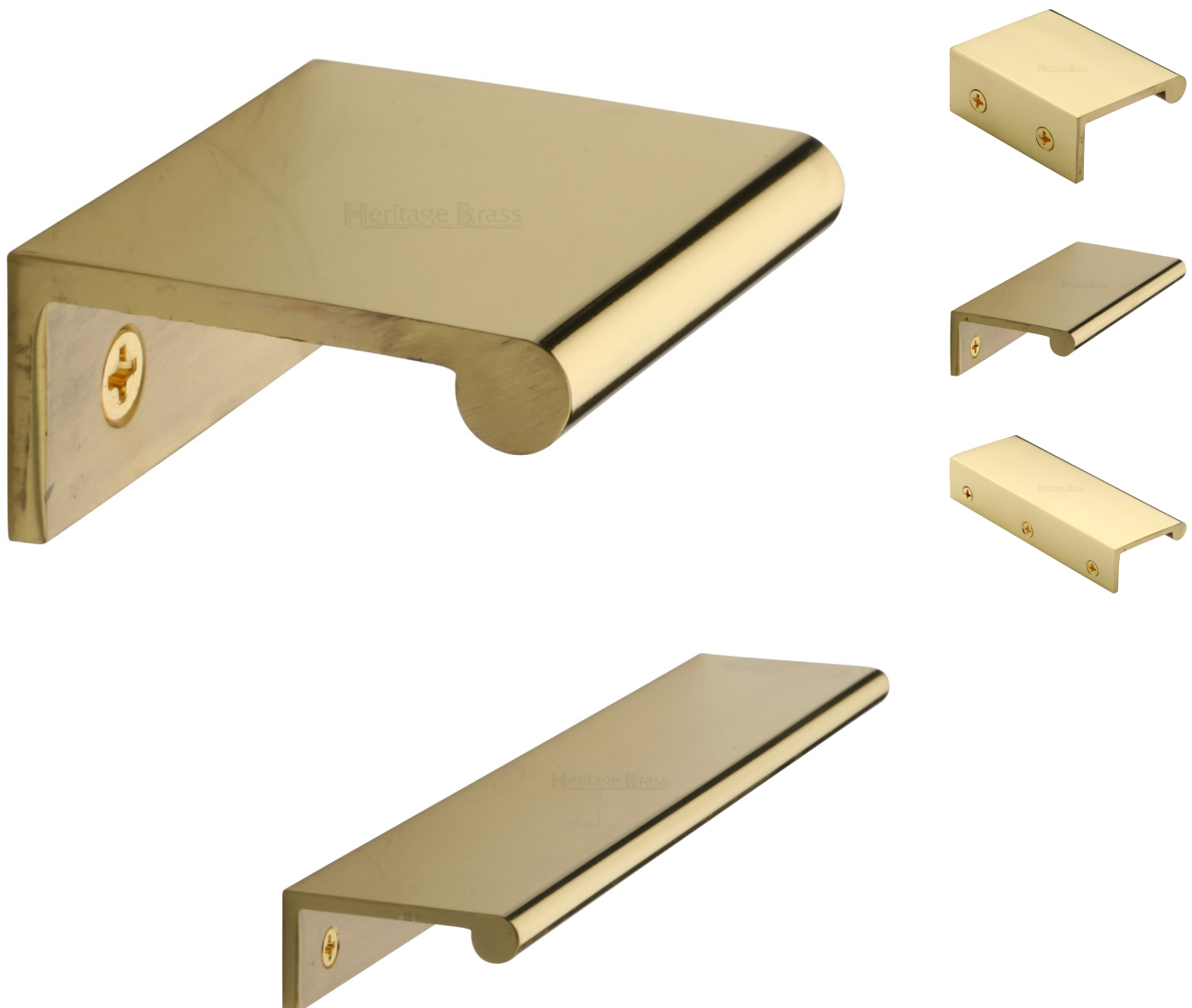

Rear Fixing Finger Edge Pull - With Rounded Edge Design - Available In 3 Sizes - Polished Brass (Lacquered)

Product Images

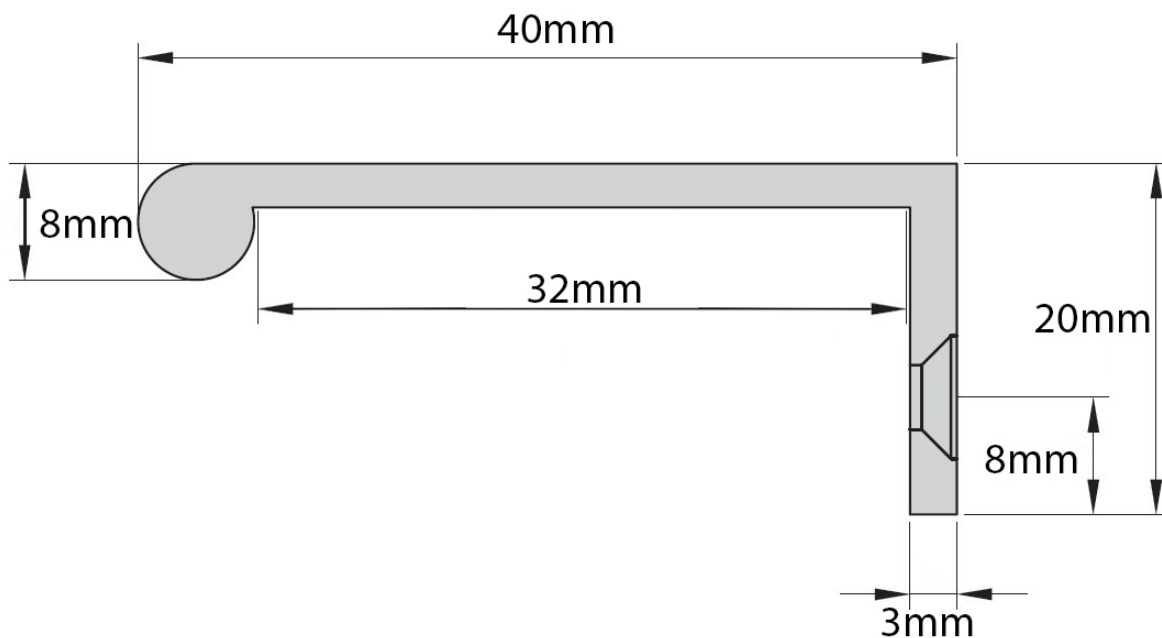


Description

- Rear fixing edge pull handle
- Rounded edge design
- Sleek, minimal design ideal for those looking for a small discreet handle to open a drawer or door with

- Available In 3 Sizes up to 200mm wide
- Rear fix design via matching wood screws
- Suitable for use on kitchen cabinet doors, wardrobes, cupboard doors and drawers

Size Details



Item Code	Overall Width	Rear Return	Projection	Edge Diameter	Thickness	Screw Backset	Number Of Fixing Holes
49267.1	50mm	20mm	40mm	8mm	3mm	8mm	2
49267.2	100mm	20mm	40mm	8mm	3mm	8mm	3
49267.3	200mm	20mm	40mm	8mm	3mm	8mm	4

Base Material

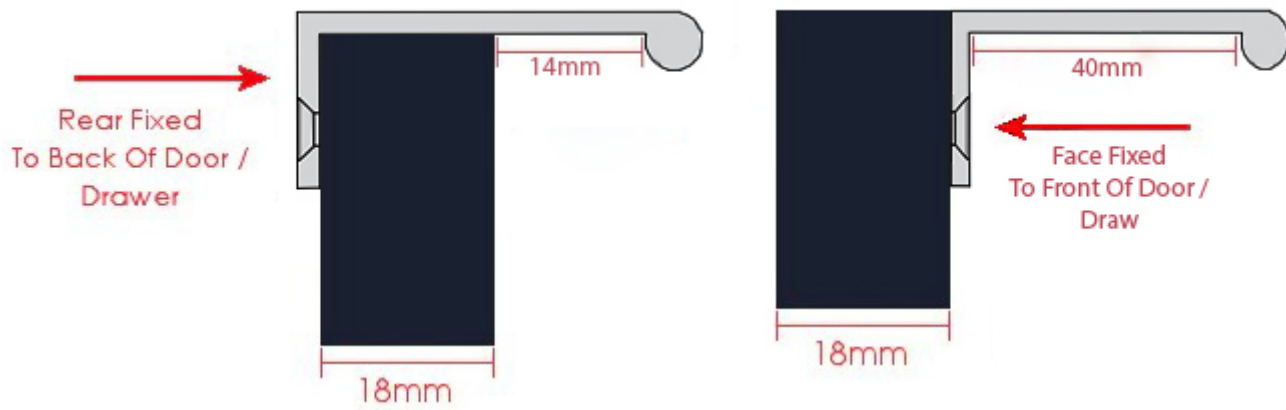
- Made from solid brass

Finish Details

- Polished Brass

Fixings

- The edge pull is fitted via countersunk wood screws from the Rear of the handle - see below diagram
- Screw holes are double countersunk



- Supplied with matching countersunk slotted wood screws

Usage

- Suitable for internal or external use

Unit Of Sale

- Edge pull handles are sold individually - each

Products in this set



49267.1 - Rear Fixing Finger Edge Pull - With Rounded Edge Design - 50mm x 40mm - Polished Brass (Lacquered) - Each



49267.2 - Rear Fixing Finger Edge Pull - With Rounded Edge Design - 100mm x 40mm - Polished Brass (Lacquered) - Each



49267.3 - Rear Fixing Finger Edge Pull - With Rounded Edge Design - 200mm x 40mm - Polished Brass (Lacquered) - Each