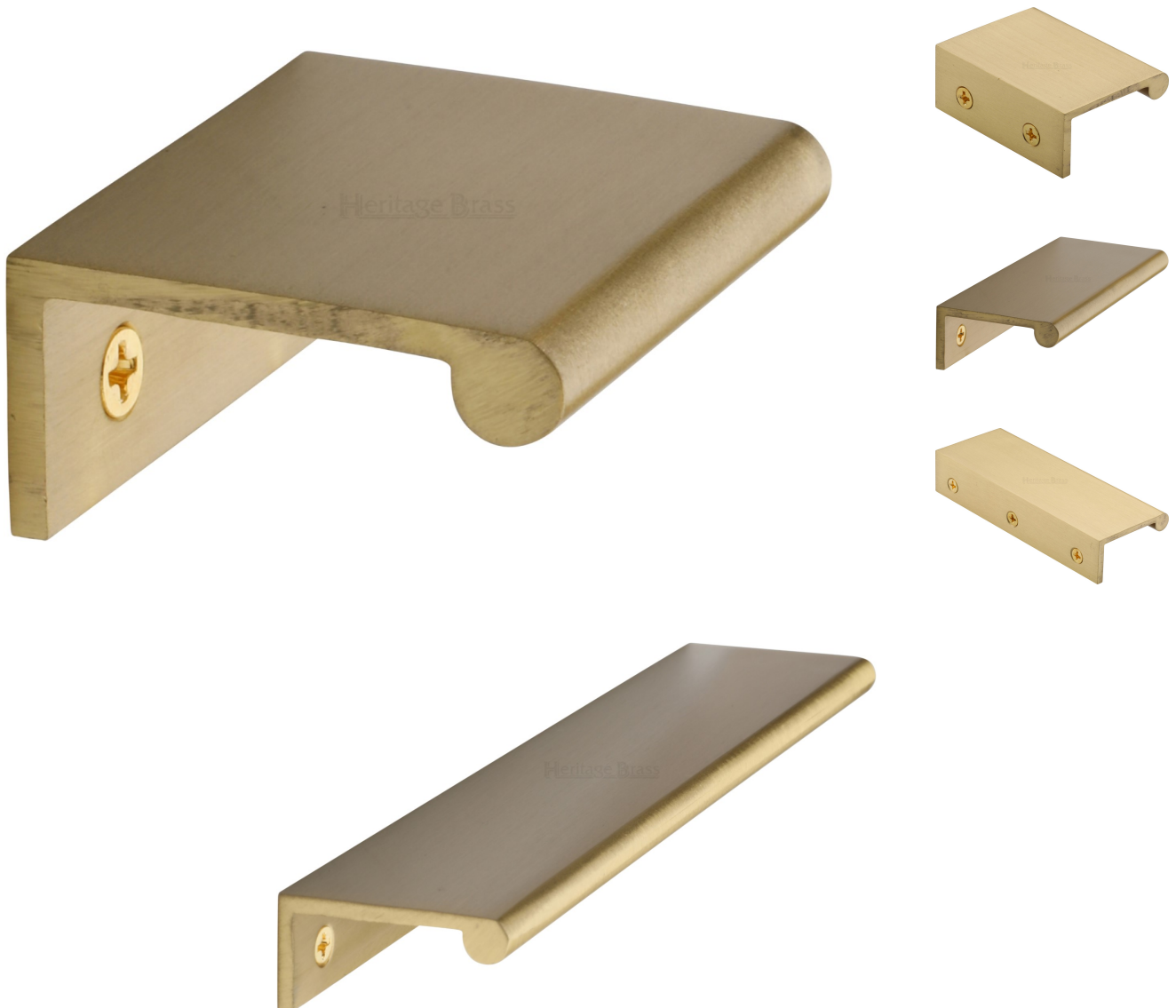


---

## Rear Fixing Finger Edge Pull - With Rounded Edge Design - Available In 3 Sizes - Satin Brass (Lacquered)

### Product Images

---



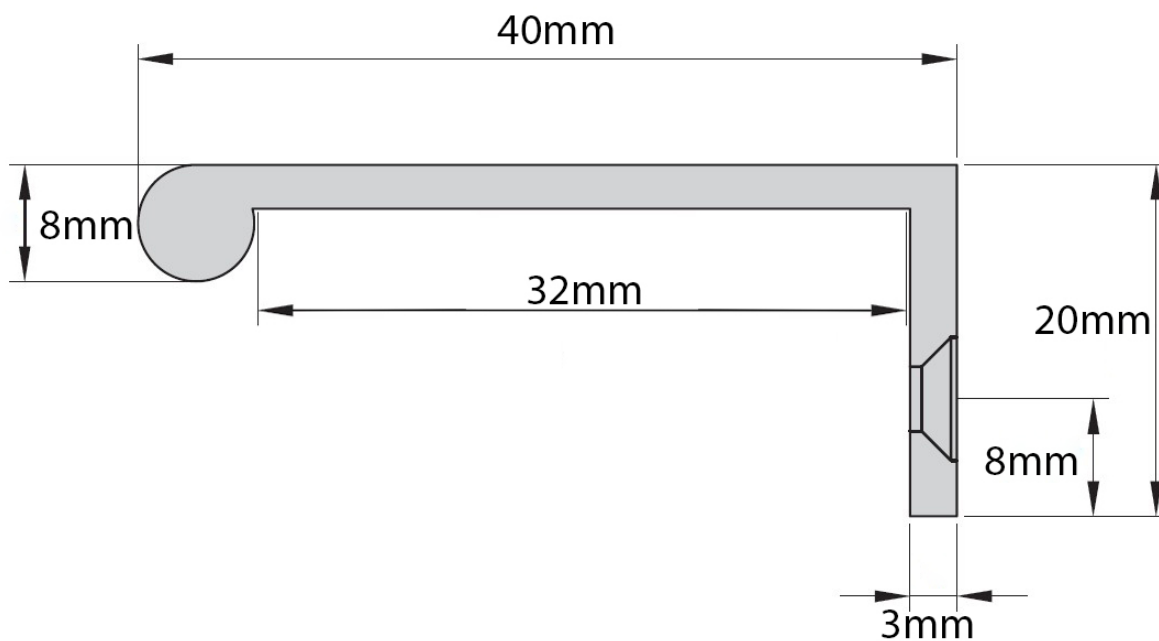
### Description

---

- Rear fixing edge pull handle
- Rounded edge design

- Sleek, minimal design ideal for those looking for a small discreet handle to open a drawer or door with
- Available In 3 Sizes up to 200mm wide
- Rear fix design via matching wood screws
- Suitable for use on kitchen cabinet doors, wardrobes, cupboard doors and drawers

## Size Details



Item Code	Overall Width	Rear Return	Projection	Edge Diameter	Thickness	Screw Backset	Number Of Fixing Holes
49268.1	50mm	20mm	40mm	8mm	3mm	8mm	2
49268.2	100mm	20mm	40mm	8mm	3mm	8mm	3
49268.3	200mm	20mm	40mm	8mm	3mm	8mm	4

## Base Material

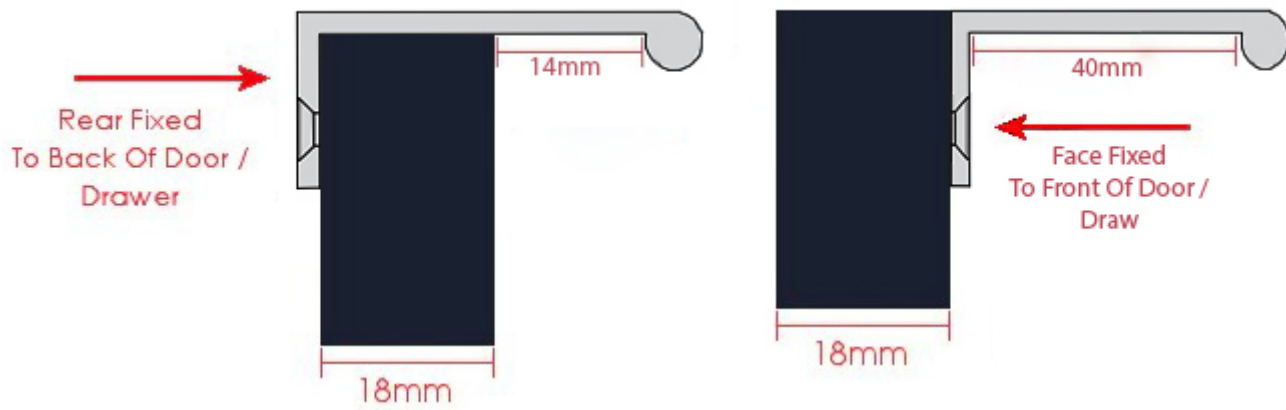
- Made from solid brass

## Finish Details

- Satin Brass

## Fixings

- The edge pull is fitted via countersunk wood screws from the Rear of the handle - see below diagram
- Screw holes are double countersunk



- Supplied with matching countersunk slotted wood screws

## Usage

- Suitable for internal or external use

## Unit Of Sale

- Edge pull handles are sold individually - each

## Products in this set



49268.1 - Rear Fixing Finger Edge Pull - With Rounded Edge Design - 50mm x 40mm - Satin Brass (Lacquered) - Each



49268.2 - Rear Fixing Finger Edge Pull - With Rounded Edge Design - 100mm x 40mm - Satin Brass (Lacquered) - Each



49268.3 - Rear Fixing Finger Edge Pull - With Rounded Edge Design - 200mm x 40mm - Satin Brass (Lacquered) - Each