

---

## Round Shape Flush Fitting Edge Pull For Sliding Pocket Doors - Matt Bronze (Lacquered)

### Product Images

---

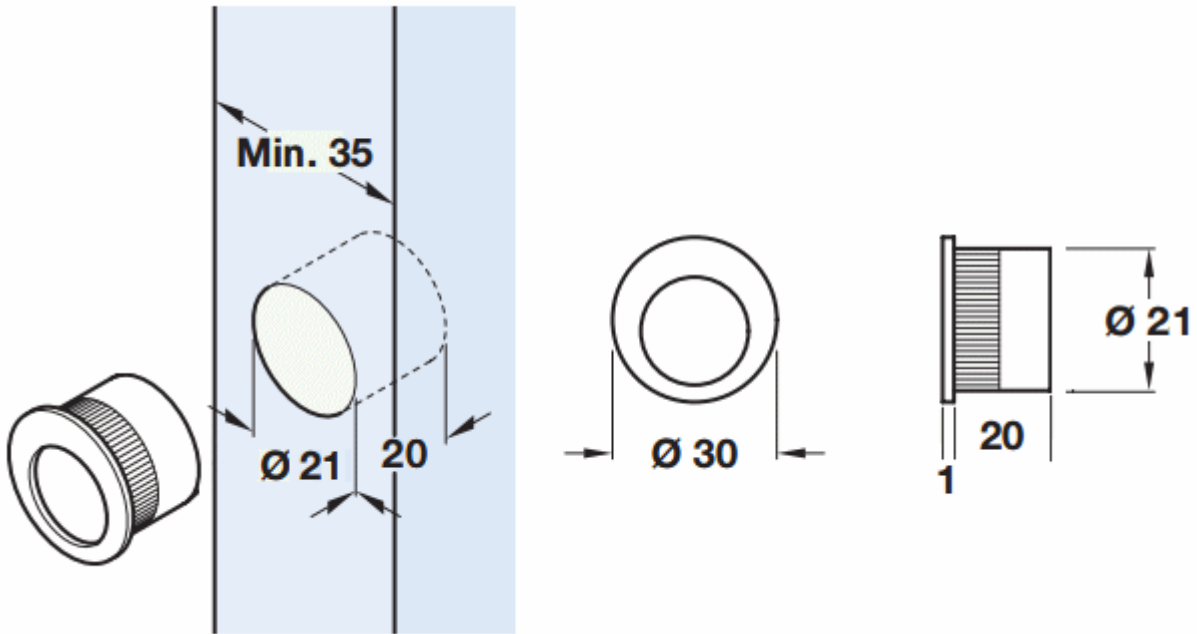


### Description

---

- Ideal for use on sliding pocket doors, this item fits into the edge of the door giving the user a finger grip to pull the door out of the wall cavity.
- This item has to be morticed (cut) into the door to allow it to sit flush.
- Sleek minimal look thanks to discreet fixings. - (This item is fixed via one wood screw from inside the recess).

### Size Details



#### Finish

- Matt Bronze

#### Dimensions

- Projection - 21mm
- Diameter - 30mm

#### Unit Of Sale

- This item is sold individually - (Each)

#### Products in this set



49284.1 - Round Shape Flush Fitting Edge Pull For Sliding Pocket Doors - Matt Bronze (Lacquered) - Each