

---

## Round Shape Flush Fitting Edge Pull For Sliding Pocket Doors - Satin Chrome

### Product Images

---

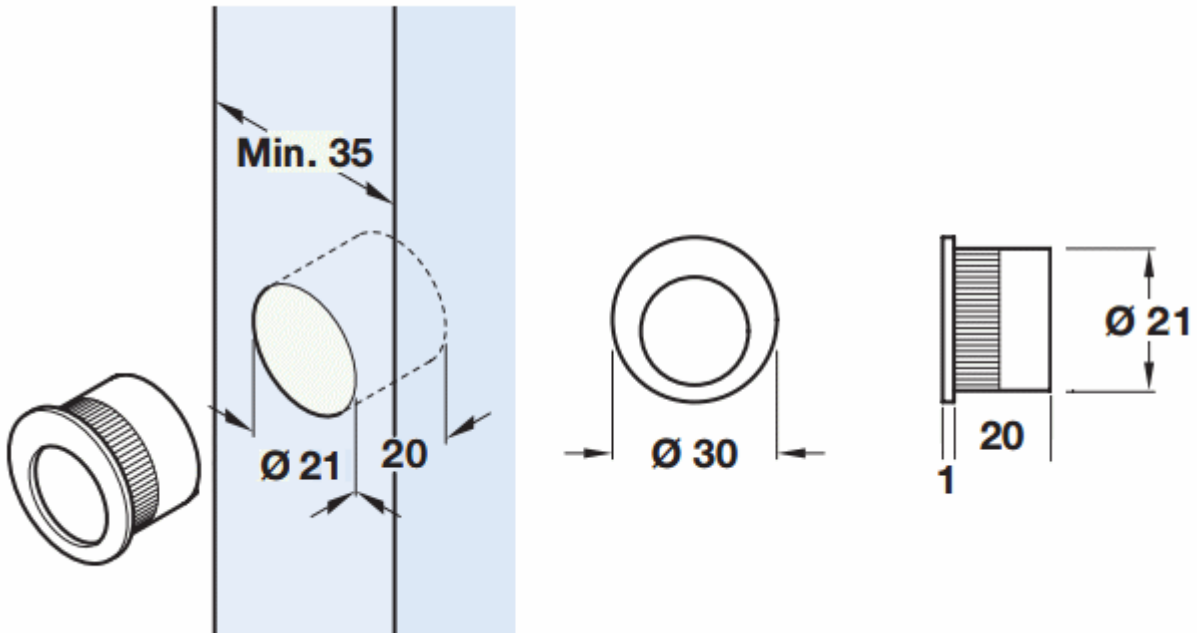


### Description

---

- Ideal for use on sliding pocket doors, this item fits into the edge of the door giving the user a finger grip to pull the door out of the wall cavity.
- This item has to be morticed (cut) into the door to allow it to sit flush.
- Sleek minimal look thanks to discreet fixings. - (This item is fixed via one wood screw from inside the recess).

## Size Details



### Finish

- Satin Chrome

### Dimensions

- Projection - 21mm
- Diameter - 30mm

### Unit Of Sale

- This item is sold individually - (Each)

### Products in this set



49287.1 - Round Shape Flush Fitting Edge Pull For Sliding Pocket Doors - Satin Chrome - Each