

## Bathroom Turn & Release With Knurled Round Rose - 53mm x 10mm - Antique Brass (Lacquered)

### Product Images



### Description

- Antique brass flat faced bathroom turn & release set with knurled pattern concealed fix rose.
- A turn and release consists of two parts
  - 1 - a snib turn which is fitted on the inside of the bathroom and is used to lock the bathroom or toilet by twisting the snib a quarter turn to the left or right
  - 2 - a release which is fitted on the outside of the bathroom. If some gets locked in the bathroom or toilet the snib can be released in an emergency by twisting a coin or screwdriver in the slotted part of the rose a quarter turn
- This turn and release set uses a 5mm x 5mm spindle (the metal shaft that goes through the door) this suits standard UK bath locks

- A turn and release is only the cosmetic part that you see on the outside of the door and requires a mechanism to work in conjunction with it, such as a bathroom deadbolt

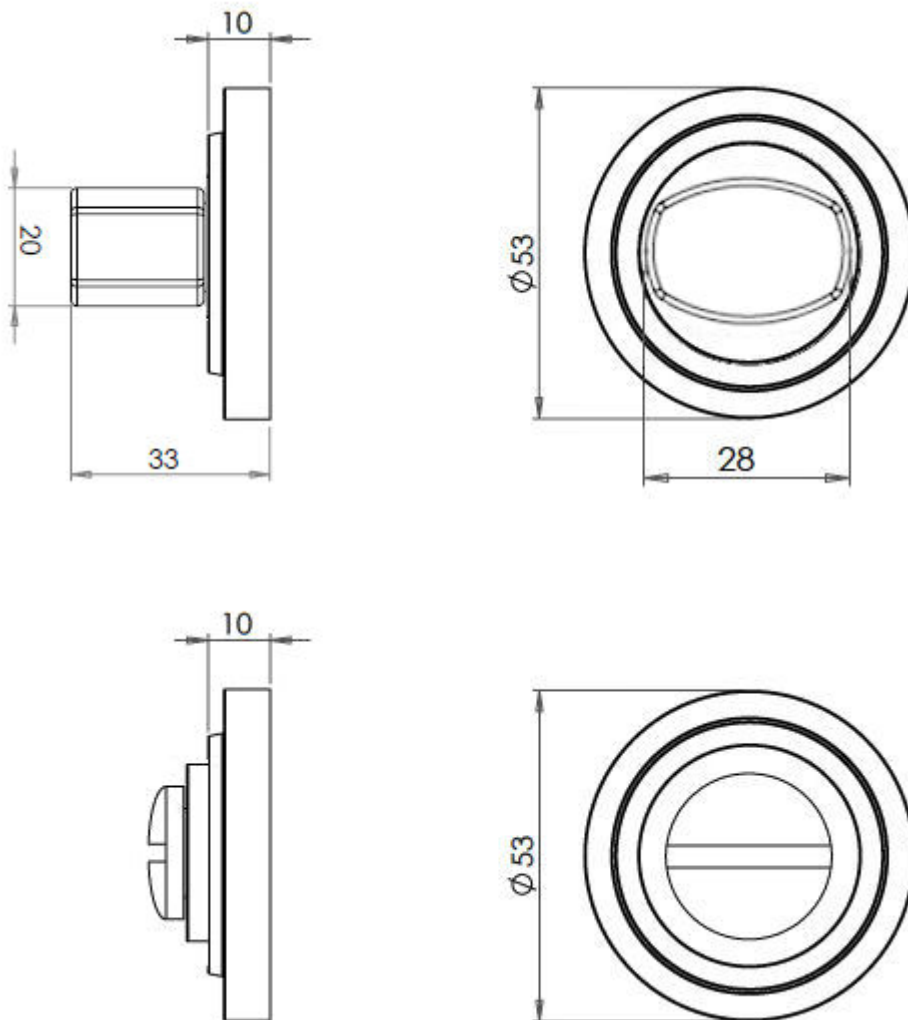
#### Base Material

- Solid Brass

#### Finish

- Antique Brass

#### Dimensions



- Rose Diameter - 53mm
- Rose Projection - 10mm

#### Important Info Before You Buy

- Can also be used as a privacy lock for bedrooms
- Supplied with all fixings
- PLEASE NOTE - THIS ITEM MUST BE USED IN CONJUNCTION WITH A DEAD BOLT OR A BATHROOM MORTICE LOCK

## Products in this set

---



49383.1 - Bathroom Turn & Release With Knurled Round Rose - 53mm x 10mm - Antique Brass (Lacquered) - Set