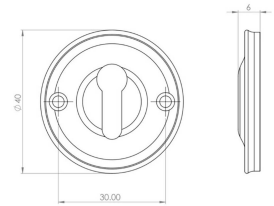


Classic Design Face Fixed Escutcheon - Standard Key - Dark Bronze (Lacquered)

Product Images



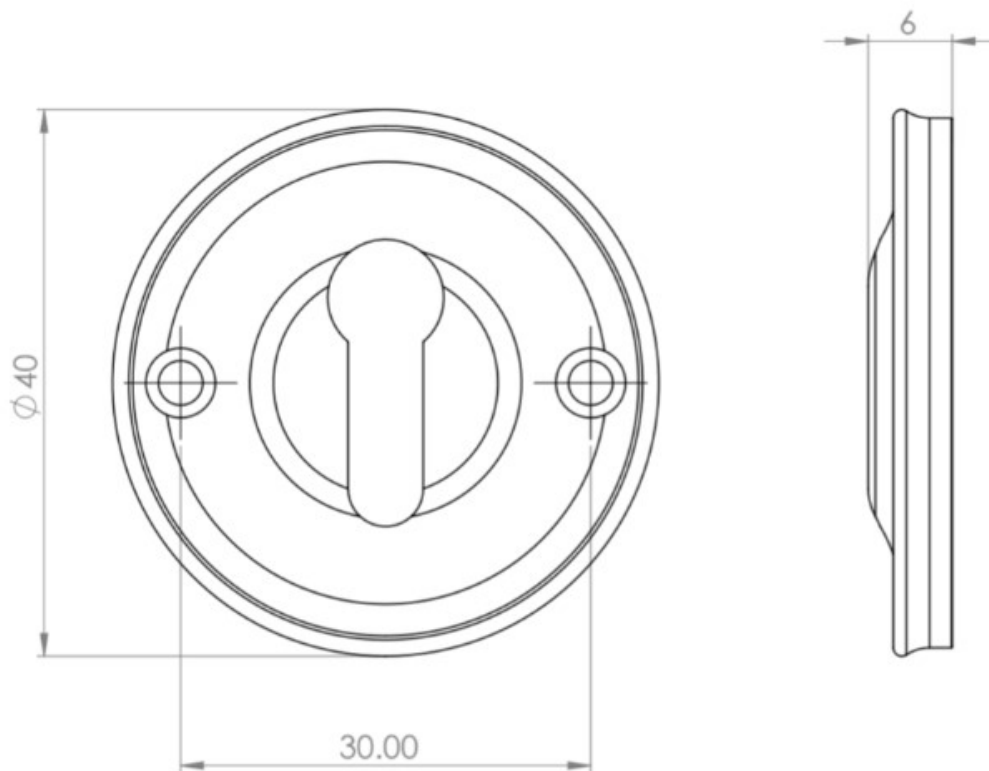
Description

- Classic Design Face Fixed Escutcheon
- Suitable for internal and external use

Finish

- Dark Bronze

Dimensions



- Overall Size: 40mm Diameter
- Overall Thickness: 6mm

Important Info Before You Buy

- Standard profile key hole shape and size to suit most internal and external mortice locks
- Sold individually
- Supplied with all fixings

Products in this set



49462.1 - Classic Design Face Fixed Escutcheon - Standard Key - Dark Bronze (Lacquered) - Each