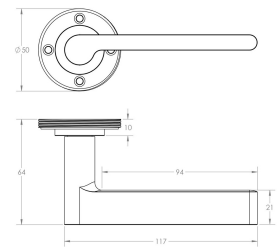


Blade Pattern Lever Handles With Stepped Round Rose - Suitable For Use With FD30 / FD60 Fire Doors - Polished Nickel

Product Images



Description

- Polished Nickel Blade pattern lever handles with Stepped pattern concealed fix rose.
- Architectural quality.
- Matching Polished Nickel accessories available including standard escutcheons (keyhole covers), euro profile escutcheons, bathroom turn & release set and locks latches and hinges.

How To Order Lever Handles With A Rose

- **For Non-Locking Doors** - 1 x (Pair) Lever Handles Only



- **For Locking Doors** - 1 x (Pair) Lever Handles Only + 2 x (Each) Standard Escutcheons



- **For Euro Cylinder Locking Doors** - 1 x (Pair) Lever Handles Only + 2 x (Each) Euro Escutcheons



- **For Locking Bathroom Doors** - 1 x Pair Lever Handles Only + 1 x (Set) Turn & Emergency Release



Matching Accessories

- **Standard escutcheon** - (key hole cover to suit regular "chubb style locks")
- **Euro profile escutcheon** - (key hole cover to suit euro profile cylinders)
- **Turn & emergency release** - (a thumbturn used to lock bathroom doors, WC's and toilet doors)

Base Material

- Made from solid brass

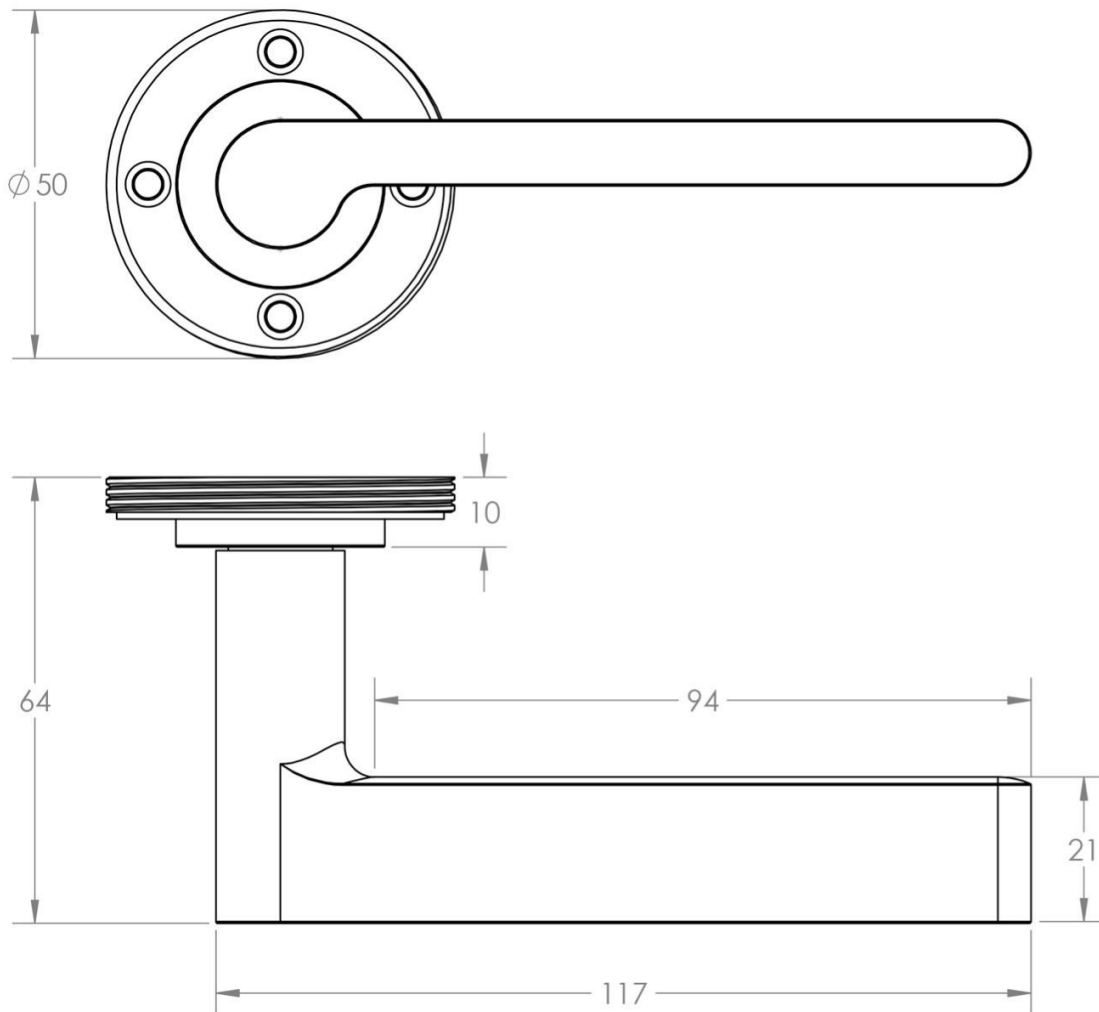
Finish Details

- Polished Nickel finish.

Operation

- Both levers are sprung to ensure the lever always returns to its starting position.

Size Information



- Rose Diameter - 53mm
- Rose Thickness - 10mm

Spindle Size

- 8mm x 8mm square - UK Standard.

Fixings

- Concealed bolt together fixings via male and female bolts.
- Grub screw fixing to spindle for extra strength once fitted to the door.

Usage

- Suitable for residential use.

- Suitable for internal use.

Unit Of Sale

- Lever handles are sold in pairs. (One pair consists of 1x left hand and 1x right hand).

Products in this set



49491.1 - Blade Pattern Lever Handles With Stepped Round Rose - Tested For Use With FD30 / FD60 Fire Doors - Polished Nickel - Pair